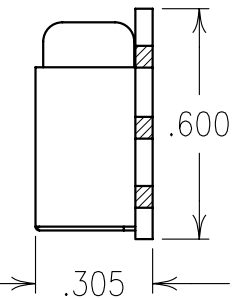
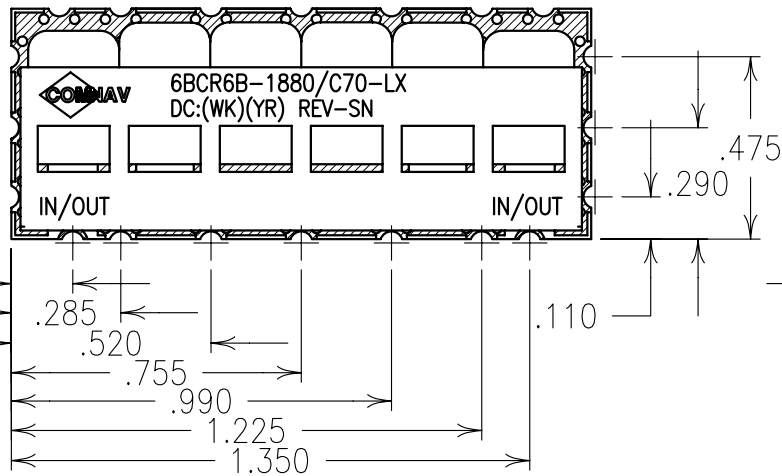


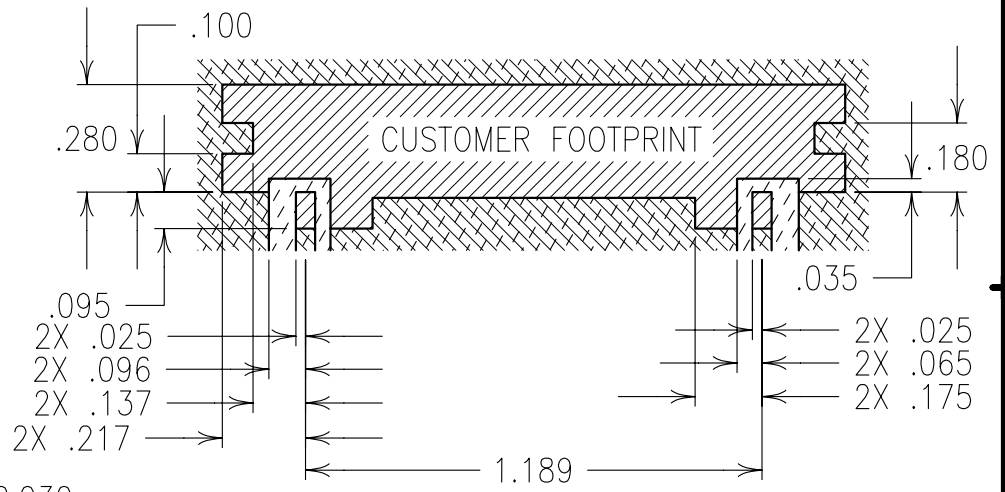
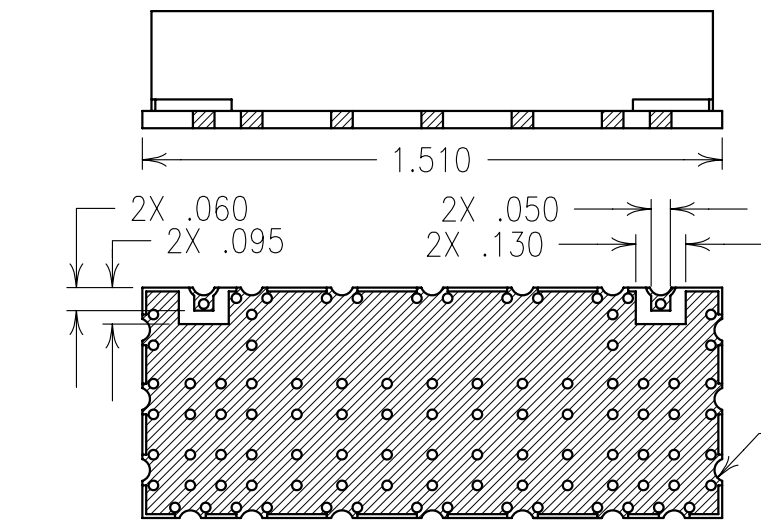
2

1

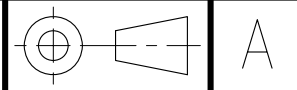


ELECTRICAL CHARACTERISTICS	
CENTER FREQUENCY	1880 MHz nom.
3dB BANDWIDTH	70 MHz nom.
PASSBAND	1850-1910 MHz
PASSBAND LOSS	<3.0 dB
40 dB REJECTION	fo±50 MHz
IMPEDANCE (IN/OUT)	50 OHMS
VSWR (IN/OUT)	<1.7:1
POWER	5 WATTS
ISOLATION (1930-1990 MHz)	30 dB

**COPY**



Confidential and Proprietary information of ComNav Engineering Inc. Do Not Duplicate or Use Without Permission. ComNav Engineering Inc. claims Copyright in this document as of the Creation, last revision, and last updated dates. All Rights Reserved.



NOTES:

NO TIN PLATING UNDER SOLDER MASK.  
 RECOMMENDED ATTACHMENT METHOD: SILVER EPOXY  
 OR REFLOW NOT TO EXCEED AS INDICATED BELOW:

TEMP.(°C)	MAX.TIME(SEC)	
215	90	COPPER-NO TIN PLATING
230	60	TIN PLATED COPPER
245	30	SOLDER MASK
260	15	

ENGLISH / METRIC ENGLISH		CHECKED BY					
TOLERANCES UNLESS OTHERWISE SPECIFIED		DRAWN BY					
MACHINED SURFACES TO BE 125 OR BETTER		PBF					
REMOVE ALL BURRS		ENGINEER					
ENGLISH (INCHES)		MJC		REV		DATE	
.XX ±.02				MJC		01FEB00	
.XXX ±.01						MJC	
METRIC (MM)				BY		DEV.	
.X ±.25				MJC		MJC	
.XX ±.13				DCN No.		INT. ISS. PER 1139	
ANGLES ± 0° 30'				REMARKS			
SCALE 2:1		APPLIC: COAXIAL FILTER					
DATE 13MAR00		TITLE: 6BCR6B-1880/C70-LX					
MATERIAL: N/A		DRAWING No. 010227				SHEET NO/OF 1 1	
FINISH: N/A							