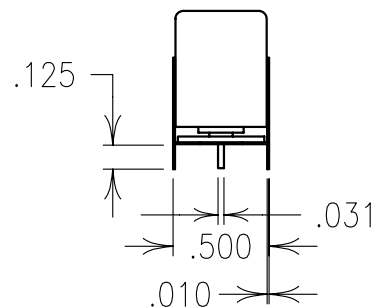
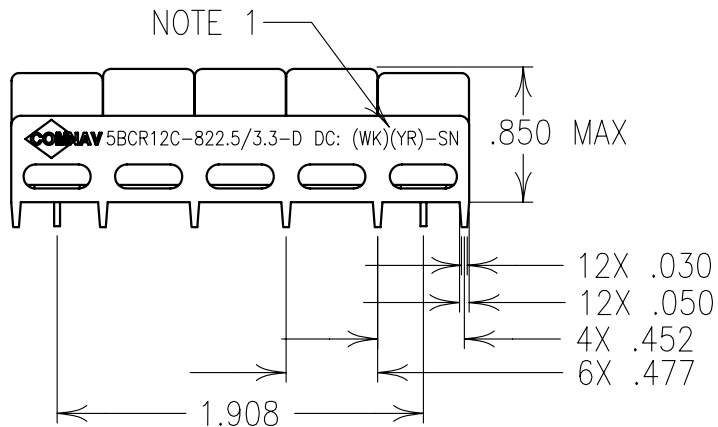


2

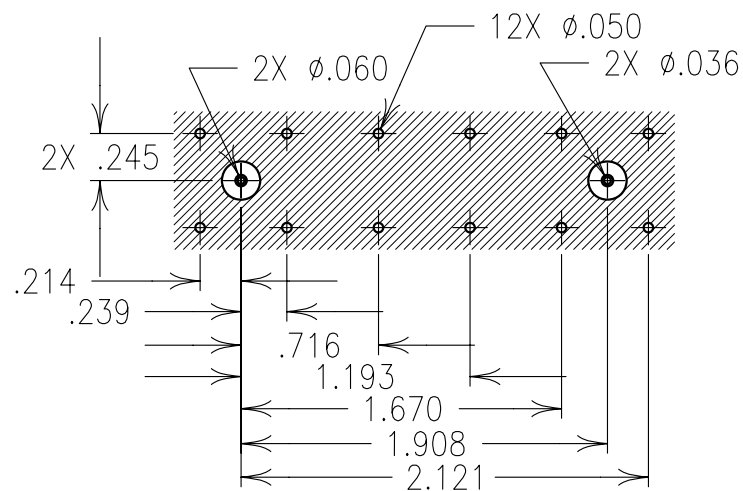
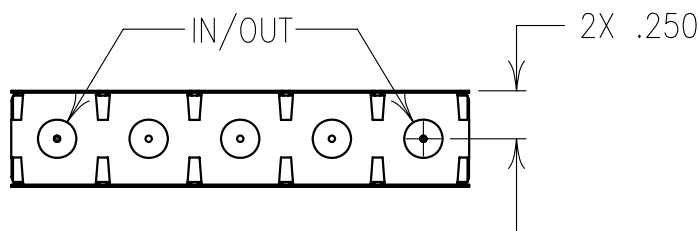
1

ELECTRICAL SPECIFICATIONS

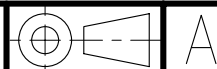
CENTER FREQUENCY	822.5 MHz
3 dB BANDWIDTH	3.3 MHz NOM
2 dB BANDWIDTH	3 MHz MIN
PASSBAND RIPPLE	-5 dB
LOSS @ Fo	≤4.0 dB
VSWR	≤1.5:1
20 dB REJECTION	±3.5 MHz
IMPEDANCE	50 OHMS



COPY



Confidential and Proprietary information of ComNav Engineering Inc. Do Not Duplicate or Use Without Permission. ComNav Engineering Inc. claims Copyright in this document as of the Creation, last revision, and last updated dates. All Rights Reserved.



NOTES:
1) DC: IS ON ONE SIDE ONLY.

ENGLISH / METRIC ENGLISH	CHECKED BY				
TOLERANCES UNLESS OTHERWISE SPECIFIED MACHINED SURFACES TO BE 125 OR BETTER REMOVE ALL BURRS	DRAWN BY PBF	II	12JAN00	MJG	DEV.
ENGLISH (INCHES) .XX ±.01 .XXX ±.005	ENGINEER MJG	REV	DATE	BY	DCN No.
METRIC (MM) .X ±.25 .XX ±.13	SCALE 1:1	APPLIC: COAXIAL FILTER			
ANGLES ± 0° 30'	DATE 26JAN00	TITLE: 5BCR12C-822.5/3.3-D			SHEET NO/OF 1 / 1
COMNAV ENGINEERING INC.	MATERIAL: N/A	DRAWING No. 0L0221			
	FINISH: N/A				