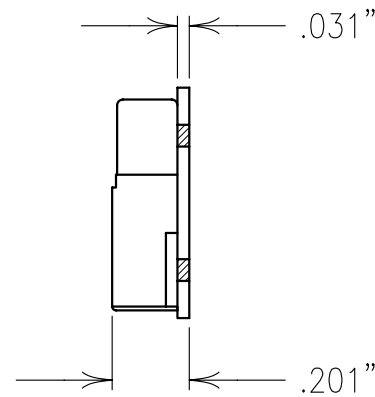
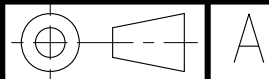


ELECTRICAL CHARACTERISTICS		
SPECIFICATION	L2	L1
CENTER FREQUENCY	1235 MHz	1587 MHz
PASSBAND	1217-1253 MHz	1565-1609 MHz
PASSBAND LOSS	<2.5 dB	<2.5 dB
ISOLATION	>55 dB	>55 dB
10 dB REJECTION	fo ±50 MHz	fo ±50 MHz
30 dB REJECTION	fo ±100 MHz	fo ±100 MHz
PASSBAND VSWR	1.7:1 TYP	1.7:1 TYP

COPY



Confidential and Proprietary information of ComNav Engineering Inc. Do Not Duplicate or Use Without Permission. ComNav Engineering Inc. claims Copyright in this document as of the Creation, last revision, and last updated dates. All Rights Reserved.



NOTES:
FOR RECOMMENDED FOOTPRINT SEE FP0045.

RECOMMENDED ATTACHMENT METHOD: SILVER EPOXY OR REFLOW NOT TO EXCEED AS INDICATED BELOW:
TEMP.(°C) MAX.TIME(SEC)

215	90
230	60
245	30
260	15

ENGLISH / METRIC ENGLISH	CHECKED BY	C	01MAY01	RME	DEV.	GEN. REV. PER 1614
TOLERANCES UNLESS OTHERWISE SPECIFIED MACHINED SURFACES TO BE 125 OR BETTER REMOVE ALL BURRS	DRAWN BY RME	B	15APR00	KJR	DEV.	GEN. REV. PER 1150
	ENGINEER SWB	A	31JAN00	MJG	DEV.	GEN. REV. PER 1142
		REV	DATE	BY	DCN No.	REMARKS
ENGLISH (INCHES) .XX ±.02 .XXX ±.01	METRIC (MM) .X ±.25 .XX ±.13	APPLIC: CERAMIC COAXIAL FILTER				
ANGLES ± 0° 30'	SCALE 2:1	TITLE: 6DCR4C-1235/1587/70-L				SHEET NO/OF 1 1
	DATE 08MAY01	DRAWING No. 010220				
	FINISH: CARRIER BOARD: NI/AU PLATED COPPER JACKET: NI/SILVER RESONATOR: SILVER					