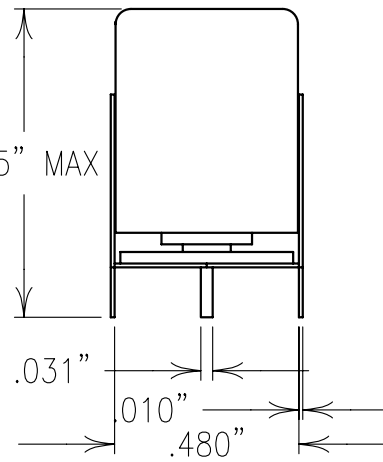
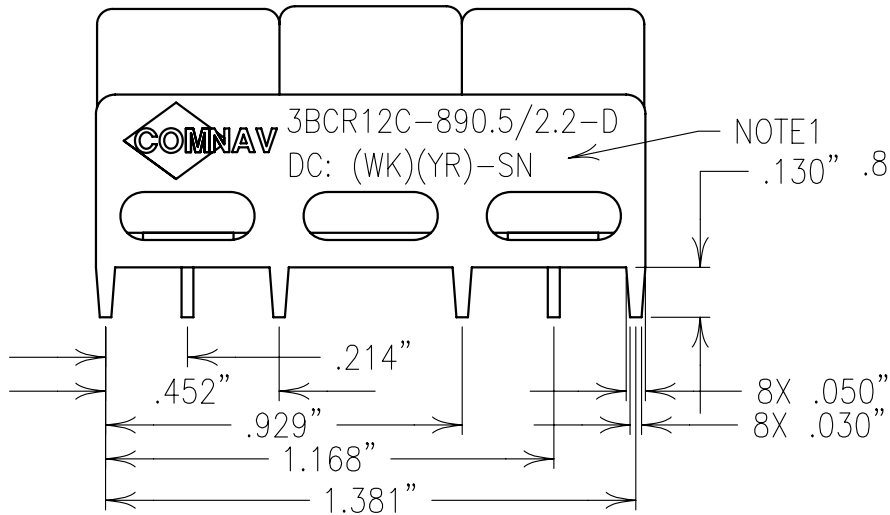


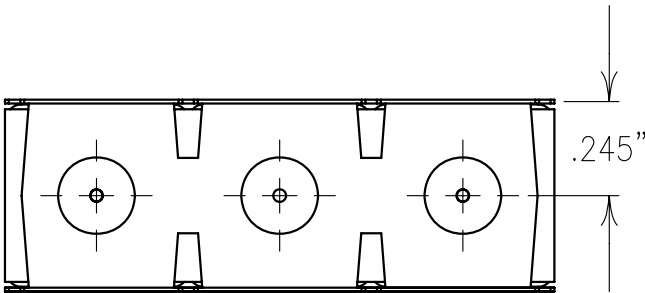
2

1



ELECTRICAL SPECIFICATIONS

CENTER FREQUENCY	890.5 MHz
3 dB BANDWIDTH	2.2 MHz NOM
1 dB BANDWIDTH	1.0 MHz MIN
PASSBAND	3.0 MHz MIN
PASSBAND LOSS	≤8.0 dB MAX
30 dB REJECTION	±7.5 MHz
60 dB REJECTION	±16 MHz
VSWR	≤1.5:1 TYP
OPERATING TEMP.	-40 TO +85° C
IMPEDANCE	50 OHMS



COPY

Confidential and Proprietary information of ComNav Engineering Inc. Do Not Duplicate or Use Without Permission. ComNav Engineering Inc. claims Copyright in this document as of the Creation, last revision, and last updated dates. All Rights Reserved.

ENGLISH / METRIC ENGLISH	CHECKED BY					
TOLERANCES UNLESS OTHERWISE SPECIFIED	DRAWN BY	A	09JUL01	SWB	DEV.	GEN. REV. PER 1716
MACHINED SURFACES TO BE 125 / OR BETTER REMOVE ALL BURRS	ENGINEER	II	02OCT99	SWB	DEV.	INT. ISS. PER 1100
	SWB	REV	DATE	BY	DCN No.	REMARKS

ENGLISH (INCHES)	METRIC (MM)	SCALE	APPLIC:
.XX ±.02 .XXX ±.010	.X ±.25 .XX ±.13	2:1	CERAMIC COAXIAL FILTER
ANGLES ± 0° 30'	DATE	TITLE:	
	31AUG01	3BCR12C-890.5/2.2-D	

COMNAV ENGINEERING INC.	FINISH:	JACKET: NI/SILVER RESONATOR: SILVER PINS: TIN PLATED BRASS	DRAWING No.	1 1
			OL0215	

NOTES:

1) DC: IS ON ONE SIDE ONLY.

FOR RECOMMENDED FOOTPRINT SEE FP0021.