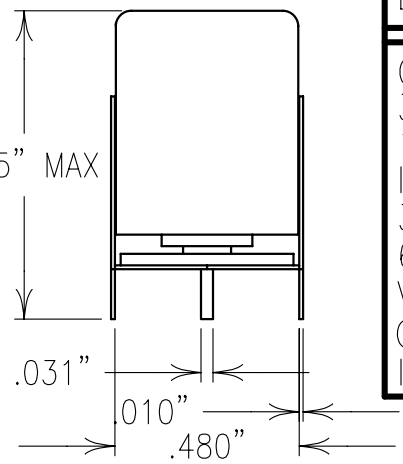
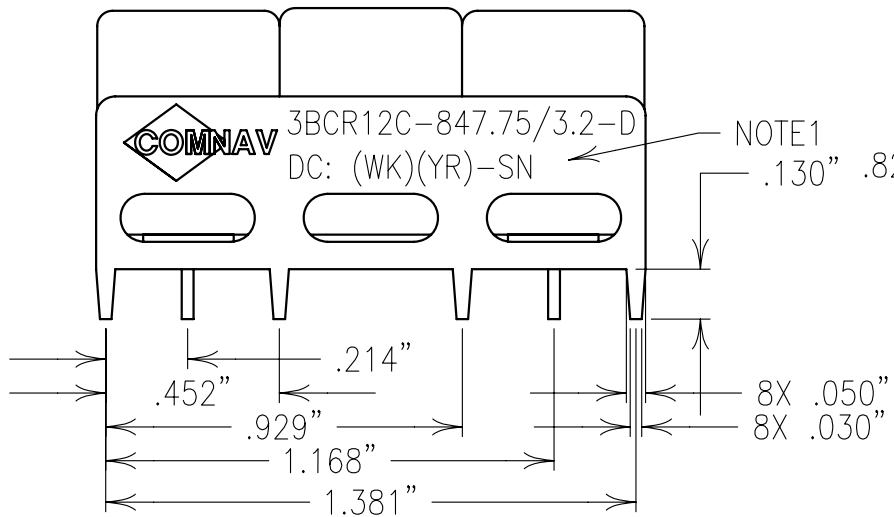


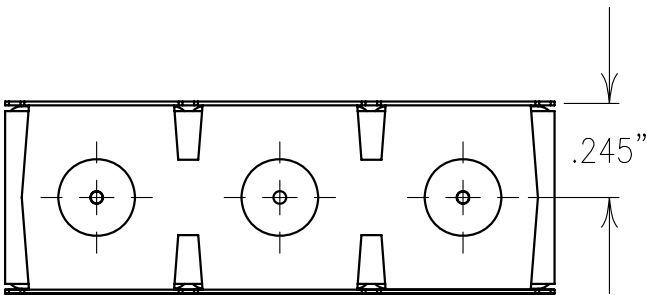
2

1



ELECTRICAL SPECIFICATIONS

CENTER FREQUENCY	847.75 MHz
3 dB BANDWIDTH	3.2 MHz NOM
1 dB BANDWIDTH	2.5 MHz MIN
INSERTION LOSS	≤8.0 dB MAX
30 dB REJECTION	±7.5 MHz
60 dB REJECTION	±16 MHz
VSWR	≤1.5:1 TYP
OPERATING TEMP.	-40 TO +85° C
IMPEDANCE	50 OHMS



**COPY**

Confidential and Proprietary information of ComNav Engineering Inc. Do Not Duplicate or Use Without Permission. ComNav Engineering Inc. claims Copyright in this document as of the Creation, last revision, and last updated dates. All Rights Reserved.

NOTES:

1) DC: IS ON ONE SIDE ONLY.

FOR RECOMMENDED FOOTPRINT SEE FP0021.

ENGLISH / METRIC ENGLISH	CHECKED BY						
TOLERANCES UNLESS OTHERWISE SPECIFIED	DRAWN BY	A	09JUL01	SWB	DEV.	GEN. REV. PER 1716	
MACHINED SURFACES TO BE 125 / OR BETTER REMOVE ALL BURRS	ENGINEER	II	02OCT99	SWB	DEV.	INT. ISS. PER 1100	
	ENGINEER	SWB	REV	DATE	BY	DCN No.	REMARKS
ENGLISH (INCHES) .XX ±.02 .XXX ±.010	METRIC (MM) .X ±.25 .XX ±.13	SCALE	APPLIC: CERAMIC COAXIAL FILTER				
ANGLES ± 0° 30'		DATE	TITLE: 3BCR12C-847.75/3.2-D				
		31AUG01					
COMNAV ENGINEERING INC	FINISH:	JACKET: NI/SILVER RESONATOR: SILVER PINS: TIN PLATED BRASS				DRAWING No.	SHEET OF 1 1
						OL0214	