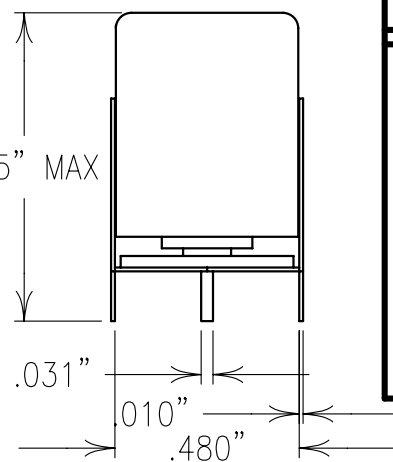
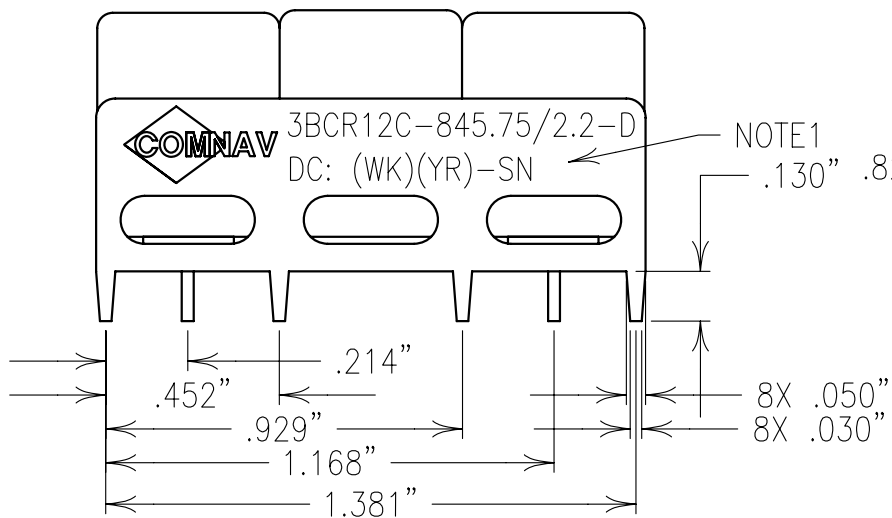


2

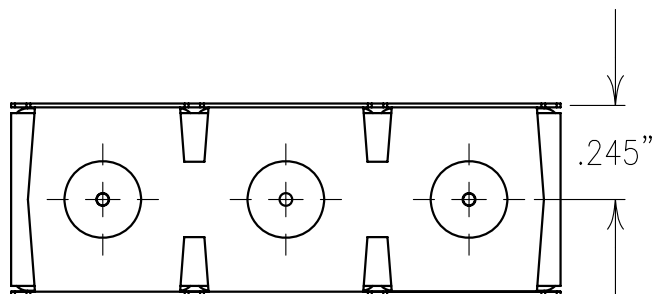
1



ELECTRICAL SPECIFICATIONS

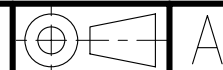
CENTER FREQUENCY	845.75 MHz
3 dB BANDWIDTH	2.2 MHz NOM
1 dB BANDWIDTH	1.5 MHz MIN
INSERTION LOSS	≤8.0 dB MAX
30 dB REJECTION	±7.5 MHz
60 dB REJECTION	±16 MHz
VSWR	≤1.5:1 TYP
OPERATING TEMP.	-40 TO +85° C
IMPEDANCE	50 OHMS

B



COPY

Confidential and Proprietary information of ComNav Engineering Inc. Do Not Duplicate or Use Without Permission. ComNav Engineering Inc. claims Copyright in this document as of the Creation, last revision, and last updated dates. All Rights Reserved.



NOTES:

1) DC: IS ON ONE SIDE ONLY.

FOR RECOMMENDED FOOTPRINT SEE FP0021.

ENGLISH / METRIC ENGLISH	CHECKED BY					
TOLERANCES UNLESS OTHERWISE SPECIFIED	DRAWN BY	A	09JUL01	SWB	DEV.	GEN. REV. PER 1716
MACHINED SURFACES TO BE 125 / OR BETTER REMOVE ALL BURRS	ENGINEER	II	02OCT99	SWB	DEV.	INT. ISS. PER 1100
	SWB	REV	DATE	BY	DCN No.	REMARKS
ENGLISH (INCHES) .XX ±.02 .XXX ±.010	METRIC (MM) .X ±.25 .XX ±.13	SCALE 2:1	APPLIC: CERAMIC COAXIAL FILTER			
ANGLES ± 0° 30'	DATE 30AUG01	TITLE: 3BCR12C-845.75/2.2-D				
	FINISH: JACKET: NI/SILVER RESONATOR: SILVER PINS: TIN PLATED BRASS	DRAWING No. OL0213			SHEET OF 1 1	

A