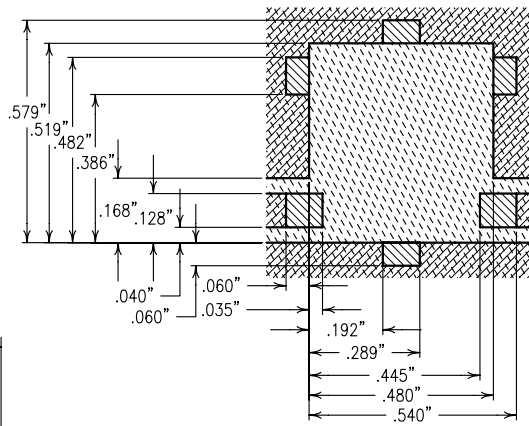
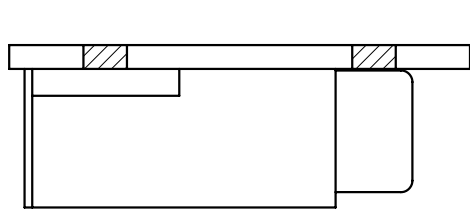


2

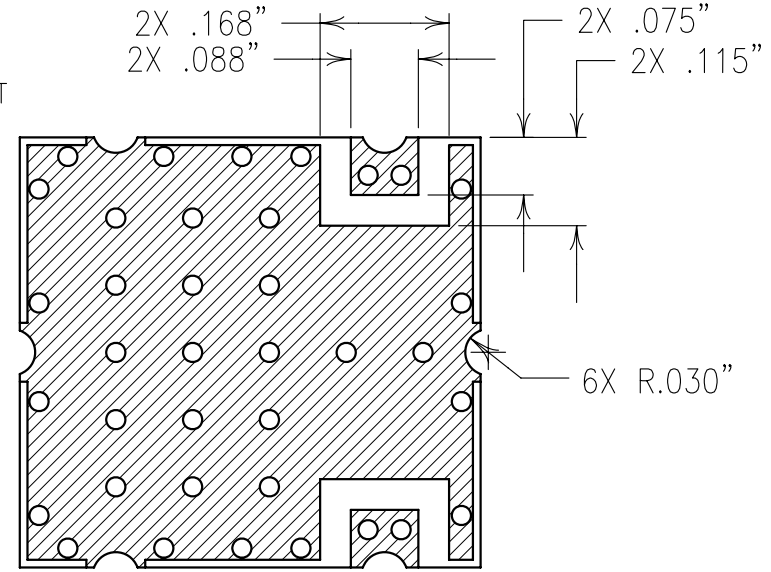
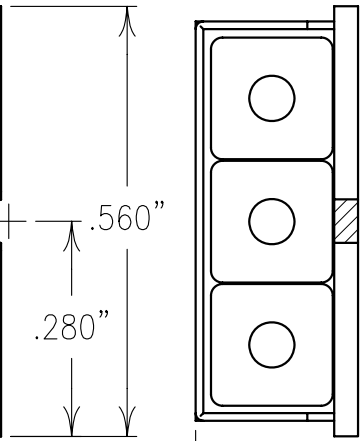
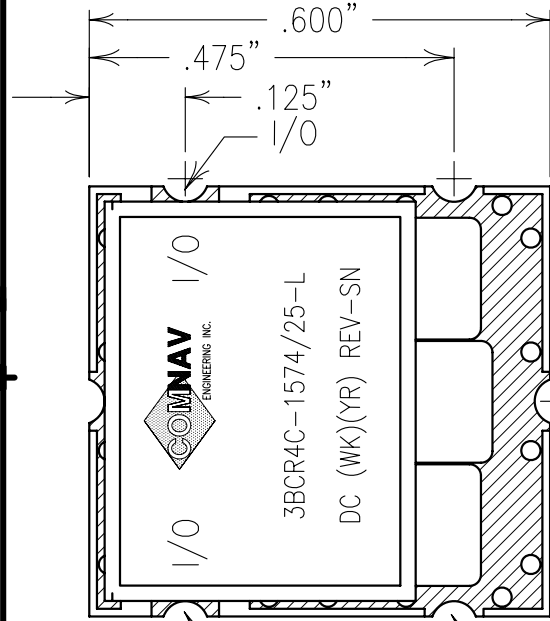
1



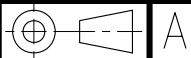
SCALE 2:1
SUGGESTED FOOTPRINT

ELECTRICAL CHARACTERISTICS	
CENTER FREQUENCY	1574.4 MHz
3.0 dB BANDWIDTH	25 MHz MIN
2.0 dB < LOSS AT fo	< 3.2 dB
VSWR	1.7:1 TYP.
40 dB REJECTION	fo ±150 MHz
POWER HANDLING	>20 dBm
TEMP. RANGE	-55 TO +85°C
HUMIDITY	90% (NONCONDENSING)

COPY



Confidential and Proprietary information of ComNav Engineering Inc. Do Not Duplicate or Use Without Permission. ComNav Engineering Inc. claims Copyright in this document as of the Creation, last revision, and last updated dates. All Rights Reserved.



NOTES:
NO TIN PLATING UNDER SOLDER MASK.
RECOMMENDED ATTACHMENT METHOD: SILVER EPOXY OR REFLOW NOT TO EXCEED AS INDICATED BELOW:

TEMP.(°C)	MAX.TIME(SEC)		
215	90		COPPER-NO TIN PLATING
230	60		TIN PLATED COPPER
245	30		SOLDER MASK
260	15		

ENGLISH / METRIC ENGLISH	CHECKED BY	B	20AUG99	MJG	DEV.	GEN. REV. PER 1076
TOLERANCES UNLESS OTHERWISE SPECIFIED MACHINED SURFACES TO BE 125 OR BETTER REMOVE ALL BURRS	DRAWN BY PBF	A	19AUG99	MJG	DEV.	GEN. REV. PER 1075
ENGLISH (INCHES) .XX ±.02 .XXX ±.01	ENGINEER MJG	II	09AUG99	MJG	DEV.	INI. ISS. PER 1069
METRIC (MM) .X ±.25 .XX ±.13	SCALE 4:1	REV	DATE	BY	DCN No.	REMARKS
ANGLES ± 0° 30'	DATE 20AUG99	APPLIC: COAXIAL FILTER				SHEET NO/OF 1 1
	FINISH: CARRIER BOARD:TIN PLATED COPPER JACKET:NI/SILVER RESONATOR:SILVER	DRAWING No. 0L0210				