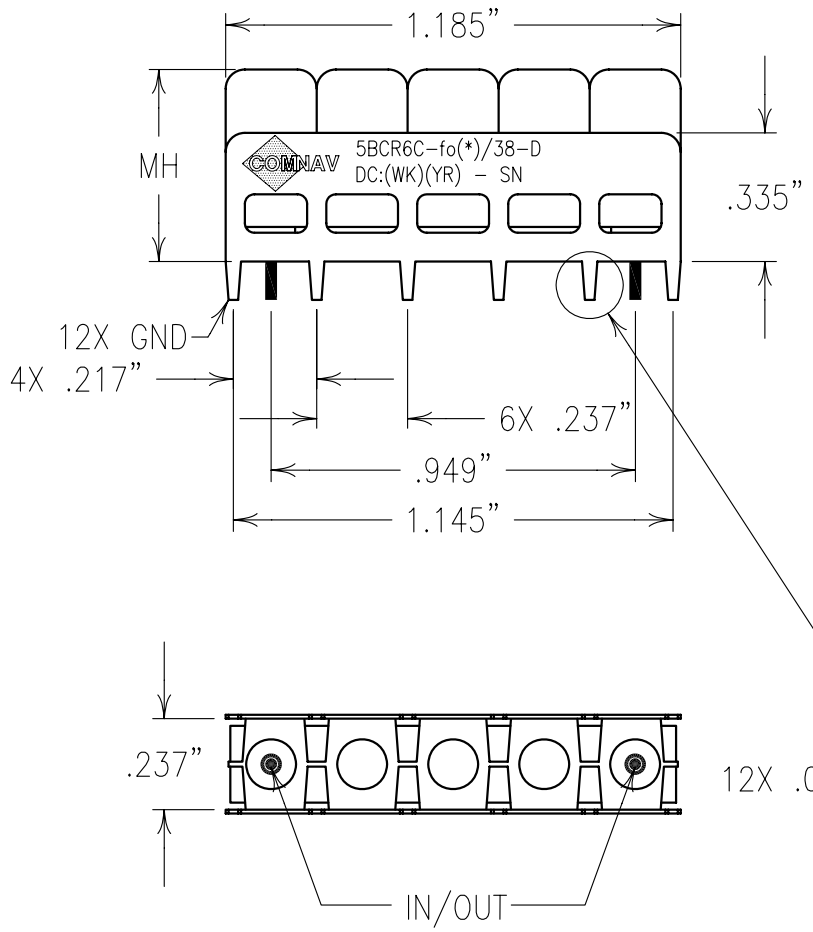


ELECTRICAL CHARACTERISTICS

CENTER FREQ. (fo(X))	MAX. HEIGHT (MH)
1545.4 MHz	0.415"
1600 MHz	0.405"
3 dB BANDWIDTH	38.0 MHz ±5%
LOSS @ fo:	<2.5 dB
25 dB ATTENUATION:	fo±38 MHz
VSWR	1.7:1 TYP.



COPY

NOTES:

FOR RECOMMENDED FOOTPRINT SEE FP0040.
 MAX REFLOW TEMP. 240°C FOR 30 SEC.,
 OR 260°C FOR 15 SEC.
 HAND OR WAVE SOLDERING RECOMMENDED.

Confidential and Proprietary information of ComNav Engineering Inc. Do Not Duplicate or Use Without Permission. ComNav Engineering Inc. claims Copyright in this document as of the Creation, last revision, and last updated dates. All Rights Reserved.

ENGLISH / METRIC ENGLISH	CHECKED BY					
TOLERANCES UNLESS OTHERWISE SPECIFIED	DRAWN BY	A	19JUN01	SWB	DEV.	GEN. REV. PER 1653
MACHINED SURFACES TO BE 125 OR BETTER REMOVE ALL BURRS	ENGINEER	II	16JUN99	SWB	DEV.	INI. ISS. PER 1034
ENGLISH (INCHES)	SCALE	2:1	APPLIC:	CERAMIC COAXIAL FILTER		
METRIC (MM)	DATE	24AUG01	TITLE:	5BCR6C-fo(*)/38-D		
.XX ±.02 .XXX ±.010	ANGLES ± 0° 30'		FINISH:	JACKET: NI/SILVER RESONATOR: SILVER PINS: TIN PLATED BRASS	DRAWING No.	0L0199
					SHEET OF	1 1