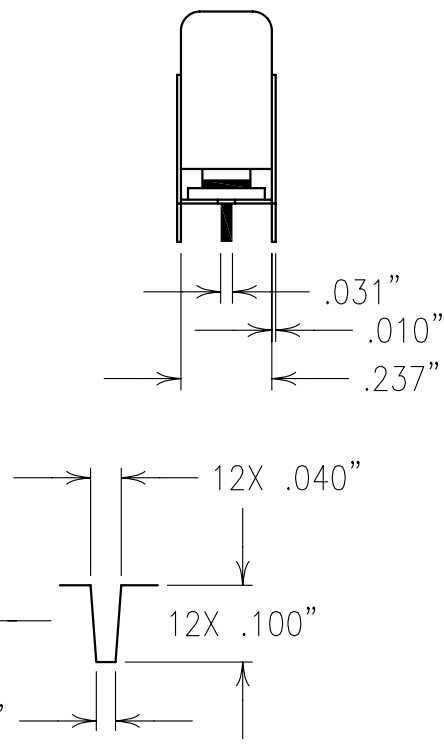
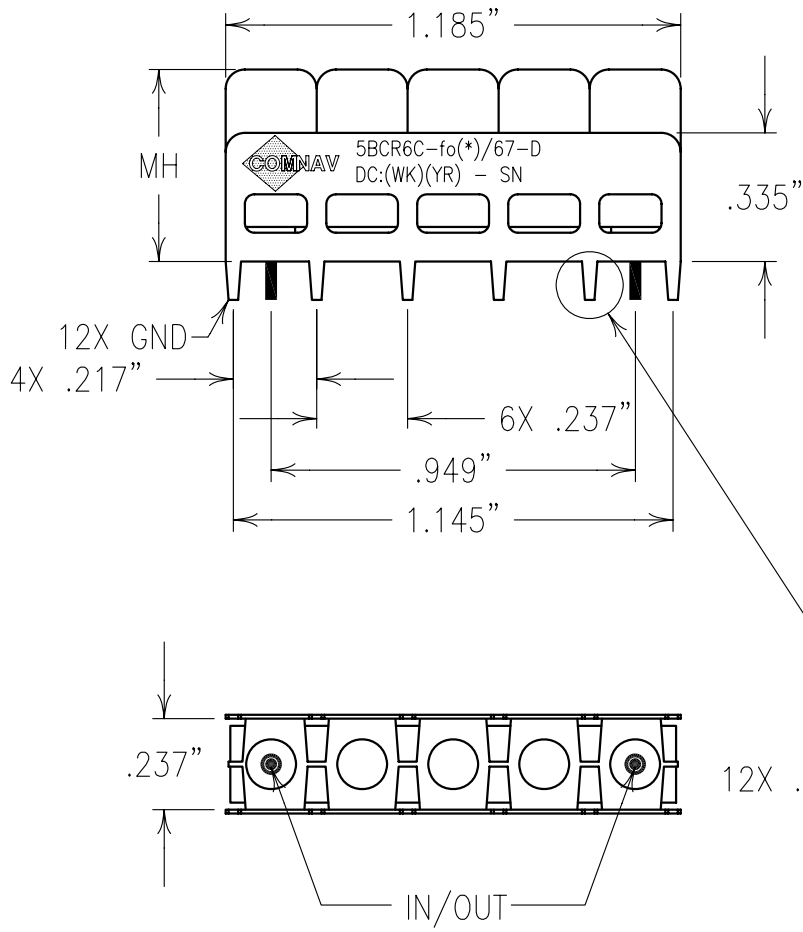


2

1

ELECTRICAL CHARACTERISTICS

CENTER FREQ. (fo(X))	MAX. HEIGHT (MH)
1383.7 MHz	0.450"
1442.5 MHz	0.440"
1501.3 MHz	0.425"
1644.3 MHz	0.400"
3 dB BANDWIDTH	67.4 MHz ±5%
LOSS @ fo:	<1.5 dB
25 dB ATTENUATION:	fo±60 MHz
VSWR	1.7:1 TYP.



COPY

NOTES:
 FOR RECOMMENDED FOOTPRINT SEE FP0040.
 MAX REFLOW TEMP. 240°C FOR 30 SEC.,
 OR 260°C FOR 15 SEC.
 HAND OR WAVE SOLDERING RECOMMENDED.

Confidential and Proprietary information of ComNav Engineering Inc. Do Not Duplicate or Use Without Permission. ComNav Engineering Inc. claims Copyright in this document as of the Creation, last revision, and last updated dates. All Rights Reserved.

ENGLISH / METRIC ENGLISH	CHECKED BY					
TOLERANCES UNLESS OTHERWISE SPECIFIED	DRAWN BY	A	19JUN01	SWB	DEV.	GEN. REV. PER 1653
MACHINED SURFACES TO BE 125 / OR BETTER REMOVE ALL BURRS	ENGINEER	II	16JUN99	SWB	DEV.	INI. ISS. PER 1034
	ENGINEER	REV	DATE	BY	DCN No.	REMARKS
ENGLISH (INCHES)	METRIC (MM)	SCALE	APPLIC: CERAMIC COAXIAL FILTER			
.XX ±.02 .XXX ±.010	.X ±.25 .XX ±.13	2:1	TITLE: 5BCR6C-fo(*)/67-D			
ANGLES ± 0° 30'		DATE	DRAWING No. 0L0198			
		24AUG01	SHEET OF 1 1			
COMNAV ENGINEERING INC.	FINISH: JACKET: NI/SILVER RESONATOR: SILVER PINS: TIN PLATED BRASS					