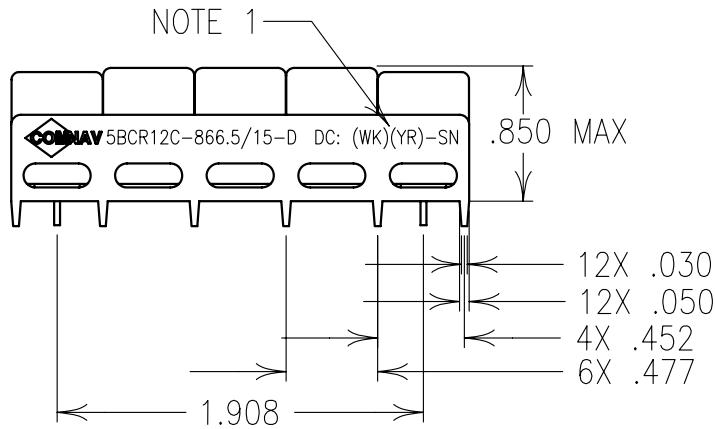


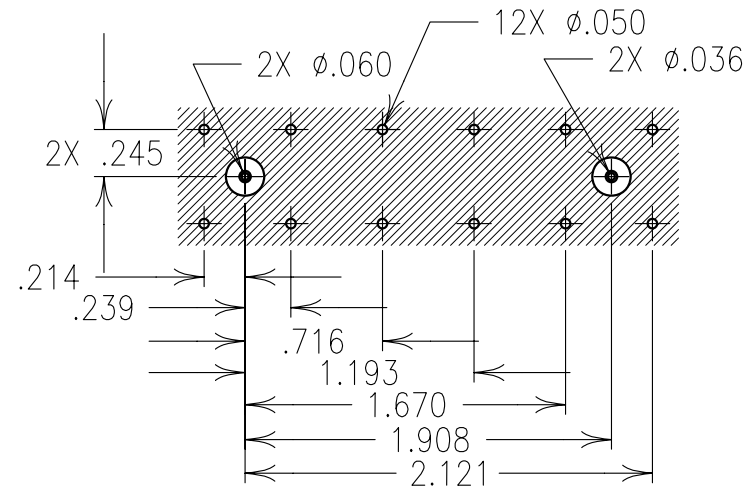
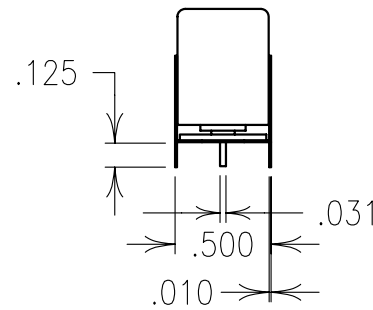
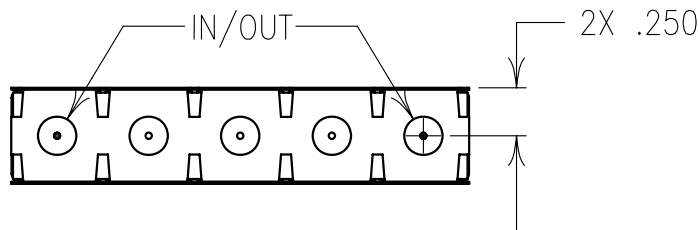
2

1

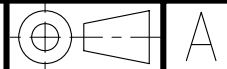
ELECTRICAL SPECIFICATIONS	
CENTER FREQUENCY	866.5 MHz
3 dB BANDWIDTH	15 MHz NOM
PASSBAND	5 MHz MIN
PASSBAND RIPPLE	0.5 dB
PASSBAND LOSS	< 3.0 dB
60 dB REJECTION	fo±30 MHz
ULTIMATE REJECTION	>80 dB
PASSBAND VSWR	<1.5:1 INTO 50 OHMS
TEMPERATURE RANGE	-20° TO + 60°C
INPUT POWER	1W



COPY



Confidential and Proprietary information of ComNav Engineering Inc. Do Not Duplicate or Use Without Permission. ComNav Engineering Inc. claims Copyright in this document as of the Creation, last revision, and last updated dates. All Rights Reserved.



NOTES:
1) DC: IS ON ONE SIDE ONLY.

ENGLISH / METRIC ENGLISH	CHECKED BY				
TOLERANCES UNLESS OTHERWISE SPECIFIED MACHINED SURFACES TO BE 125 OR BETTER REMOVE ALL BURRS	DRAWN BY PBF				
ENGLISH (INCHES) .XX ±.01 .XXX ±.005	ENGINEER SWB	II	21MAY99	SWB	DEV.
METRIC (MM) .X ±.25 .XX ±.13	SCALE 1:1	REV	DATE	BY	DCN No.
ANGLES ± 0° 30'	APPLIC:	COAXIAL FILTER			
	DATE 04JUN99	TITLE:	5BCR12C-866.5/15-D		SHEET NO/OF 1 / 1
	MATERIAL: N/A	DRAWING No.		0L0196	
	FINISH: N/A				