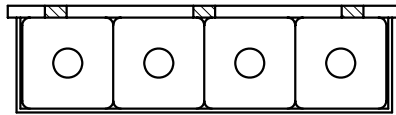


2

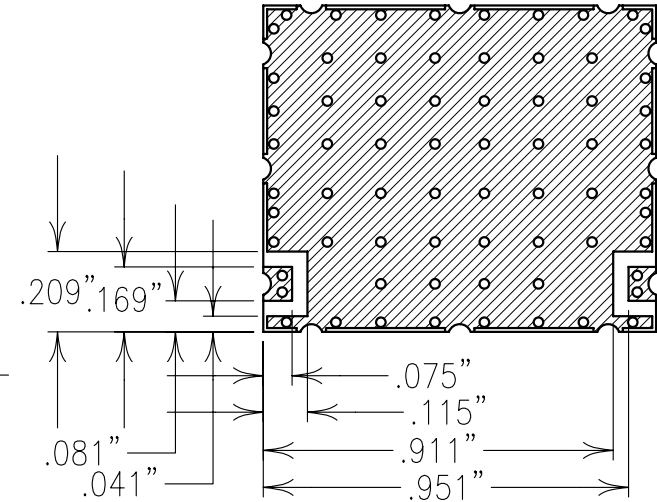
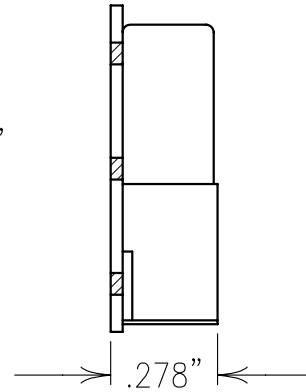
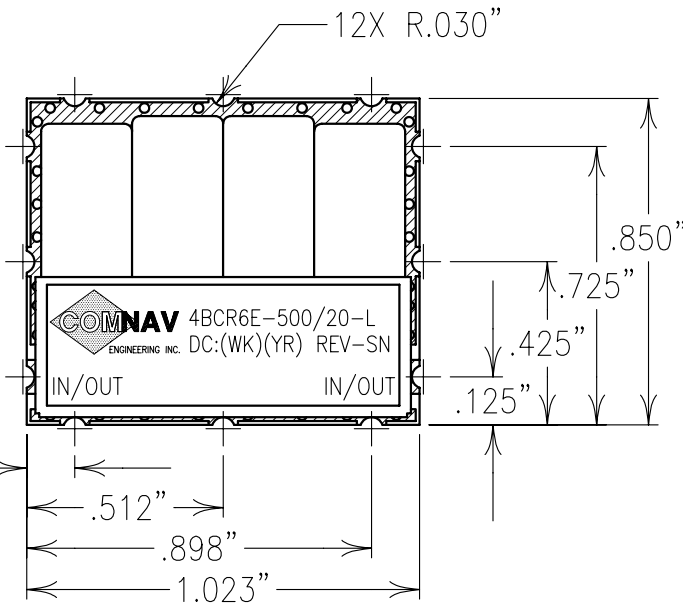
1



COPY

ELECTRICAL CHARACTERISTICS

CENTER FREQUENCY	500 MHz
3dB BANDWIDTH	20 MHz NOM.
PASSBAND	492-508 MHz
PASSBAND FLATNESS	<1.0 dB
PASSBAND LOSS	<3.0 dB
PASSBAND VSWR	1.7:1 TYP.
38 dB REJECTION:	DC-470 MHz 530-1300 MHz
15 dB REJECTION:	470-480 MHz 520-530 MHz 1300-1500 MHz

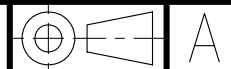


NOTES:
FOR RECOMMENDED FOOTPRINT SEE FP0054.

RECOMMENDED ATTACHMENT METHOD: SILVER EPOXY
OR REFLOW NOT TO EXCEED AS INDICATED BELOW:
TEMP.(°C) MAX.TIME(SEC)

215	90
230	60
245	30
260	15

Confidential and Proprietary information of ComNav Engineering Inc. Do Not Duplicate or Use Without Permission. ComNav Engineering Inc. claims Copyright in this document as of the Creation, last revision, and last updated dates. All Rights Reserved.



ENGLISH / METRIC ENGLISH	CHECKED BY	C	31DEC02	MJG	DEV.	GEN. REV. PER 1996
TOLERANCES UNLESS OTHERWISE SPECIFIED	DRAWN BY	B	17OCT01	TW	DEV.	GEN. REV. PER 1747
MACHINED SURFACES TO BE 125 / OR BETTER	ENGINEER	A	24JUL01	SWB	DEV.	GEN. REV. PER 1698
REMOVE ALL BURRS	ENGINEER	REV	DATE	BY	DCN No.	REMARKS

ENGLISH (INCHES)	METRIC (MM)	SCALE	APPLIC:
.XX ±.01	.X ±.25	2:1	CERAMIC COAXIAL FILTER
.XXX ±.020	.XX ±.13	DATE	TITLE:
ANGLES ± 0° 30'		02JAN03	4BCR6E-500/20-L

COMNAV ENGINEERING INC.	FINISH: BOARD: SN63PB37 PLATED COPPER	DRAWING No.	SHEET OF 1 1
	JACKET: NI/SILVER RESONATOR: SILVER	OL0189	