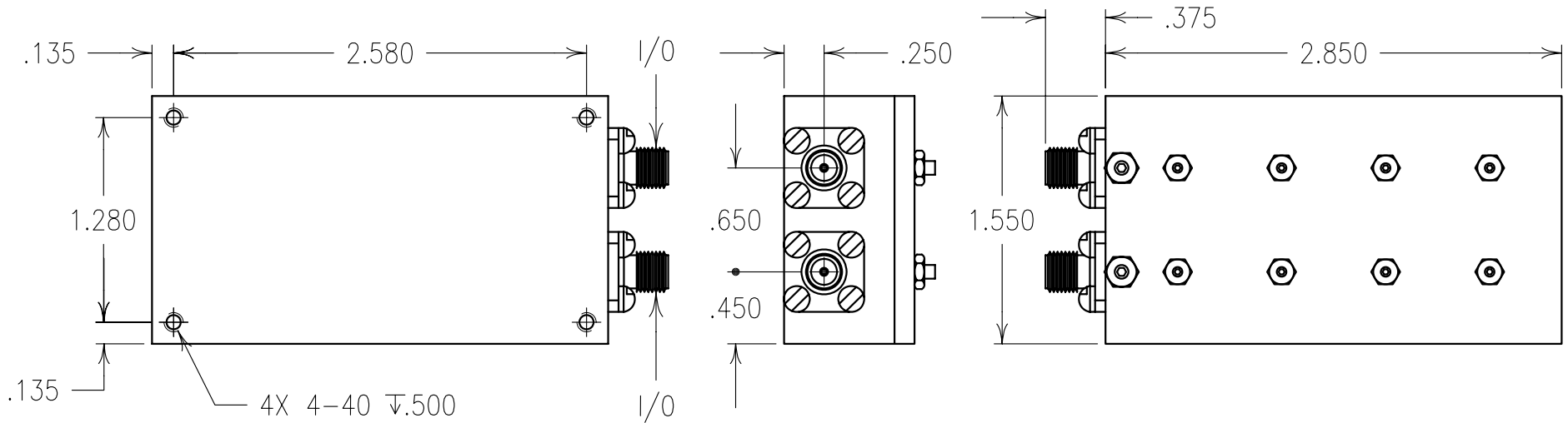
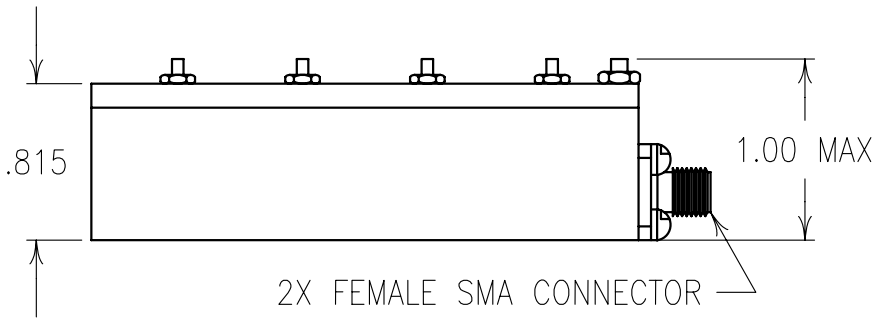


2

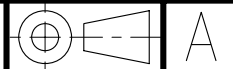
1

ELECTRICAL SPECIFICATIONS	
CENTER FREQ. f_o (*)	2424 OR 2458 MHz
3 dB BANDWIDTH	29 MHz MIN.
1 dB BANDWIDTH	25 MHz MIN.
52 dB REJECTION	$f_o \pm 25$ MHz
DELAY VAR.	60 NSEC OVER 3 dB
VSWR	1.5:1
TEMPERATURE RANGE	-40 TO +70°C

COPY



Confidential and Proprietary information of ComNav Engineering Inc. Do Not Duplicate or Use Without Permission. ComNav Engineering Inc. claims Copyright in this document as of the Creation, last revision, and last updated dates. All Rights Reserved.



NOTES:

ENGLISH / METRIC ENGLISH	CHECKED BY					
TOLERANCES UNLESS OTHERWISE SPECIFIED MACHINED SURFACES TO BE 125 OR BETTER REMOVE ALL BURRS	DRAWN BY PBF	II	29APR99	MJG	DEV.	INT. ISS. PER 1005
ENGLISH (INCHES) .XX ±.01 .XXX ±.005	ENGINEER MJG	REV	DATE	BY	DCN No.	REMARKS
METRIC (MM) .X ±.25 .XX ±.13	SCALE 1:1	APPLIC: COAXIAL FILTER				
ANGLES ± 0° 30'	DATE 12MAY99	TITLE: 8BCV4- f_o (*)/29-0				SHEET NO/OF 1 1
	MATERIAL: SILVER PLATED ALUMINUM WITH COPPER BARRIER				DRAWING No. 0L0185	
	FINISH: BLACK ENAMEL PAINT					