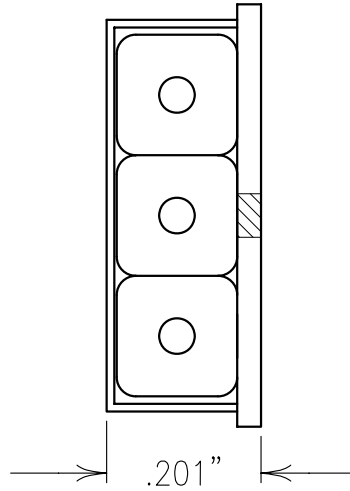
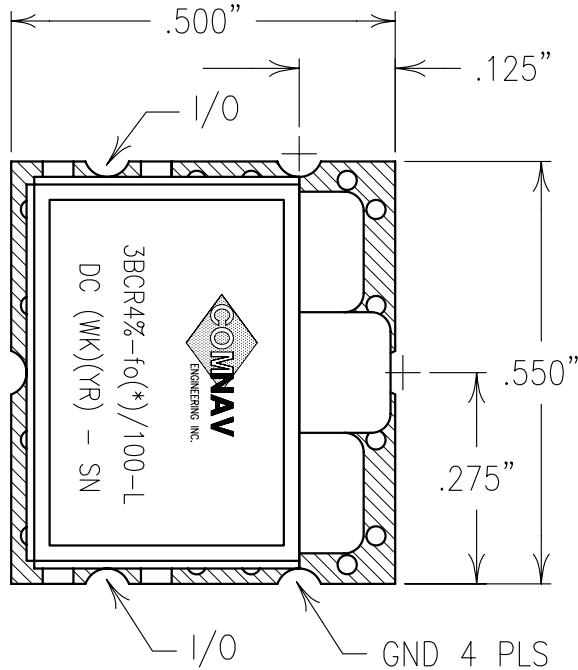
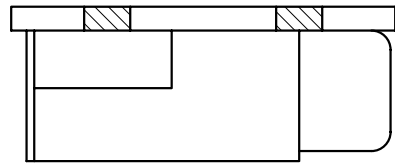
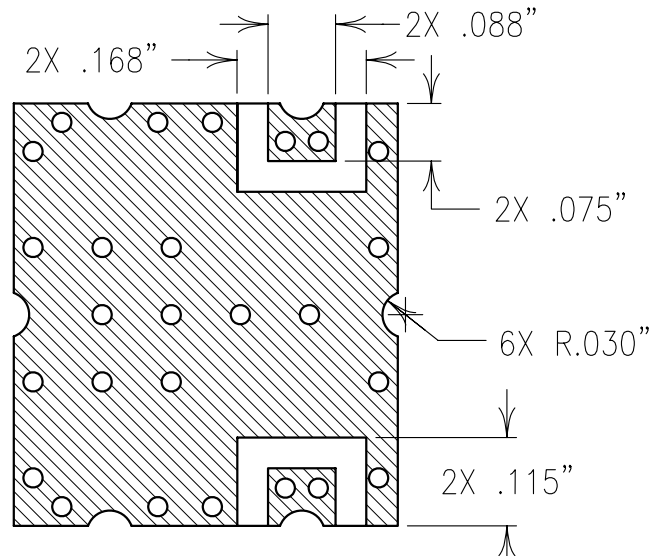


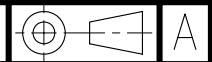
COPY



PART NUMBERS	ELECTRICAL CHARACTERISTICS
3BCR4C-1575/100-L	CENTER FREQUENCY 1575,1876,1904,2065,2128,2335,2884,3035,3074,3136 MHz
3BCR4C-1876/100-L	%=C IF fo(*)= 1575,1876,1904,2065,2128,2335 MHz
3BCR4C-1904/100-L	%=B IF fo(*)= 2884,3035,3074,3136 MHz
3BCR4C-2065/100-L	3.0 dB BANDWIDTH 90 MHz MIN
3BCR4C-2128/100-L	0.5 dB BANDWIDTH 50 MHz MIN
3BCR4B-2335/100-L	VSWR (OVER 0.5 dB BW) 1.5:1
3BCR4B-2884/100-L	LOSS OVER 0.5 dB BW < 2.0 dB
3BCR4B-3035/100-L	50 dB REJECTION fo ±350 MHz
3BCR4B-3074/100-L	DELAY VAR.(OVER 0.5 dB BW) 6 NSEC
3BCR4B-3136/100-L	PHASE LIN.(OVER 0.5 dB BW) ±2 DEGREES
	OPERATING TEMP. -45 TO +85°C



Confidential and Proprietary information of ComNav Engineering Inc. Do Not Duplicate or Use Without Permission. ComNav Engineering Inc. claims Copyright in this document as of the Creation, last revision, and last updated dates. All Rights Reserved.



NOTES:
FOR RECOMMENDED FOOTPRINT SEE FP0009.
RECOMMENDED ATTACHMENT METHOD: SILVER EPOXY
OR REFLOW NOT TO EXCEED AS INDICATED BELOW:

TEMP.(°C)	MAX.TIME(SEC)
215	90
230	60
245	30
260	15

ENGLISH / METRIC ENGLISH	CHECKED BY	E	10JAN01	PSE	DEV.	GEN. REV. PER 1457
TOLERANCES UNLESS OTHERWISE SPECIFIED MACHINED SURFACES TO BE 125/ OR BETTER REMOVE ALL BURRS	DRAWN BY	D	18DEC00	PSE	DEV.	GEN. REV. PER 1429
	ENGINEER	C	13OCT00	KJR	DEV.	GEN. REV. PER 1354
	SWB	REV	DATE	BY	DCN No.	REMARKS
ENGLISH (INCHES) .XX ±.02 .XXX ±.010	METRIC (MM) .X ±.25 .XX ±.13	SCALE	APPLIC: CERAMIC COAXIAL FILTER			
ANGLES ± 0° 30'	DATE	11JAN01	TITLE: 3BCR4%-fo(*)/100-L			SHEET NO/OF 1 1
	FINISH:	CARRIER BOARD:TIN PLATED COPPER				DRAWING No. 010184
		JACKET:NI/SILVER RESONATOR:SILVER				