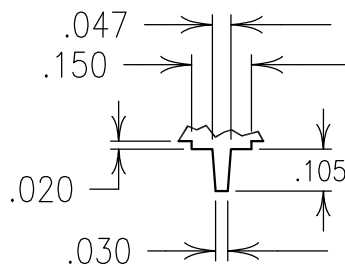
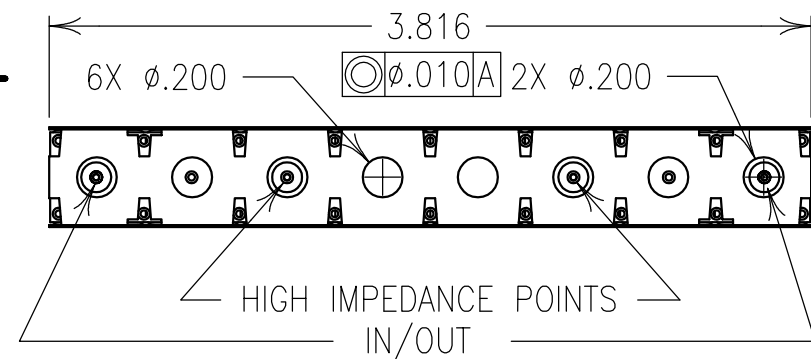
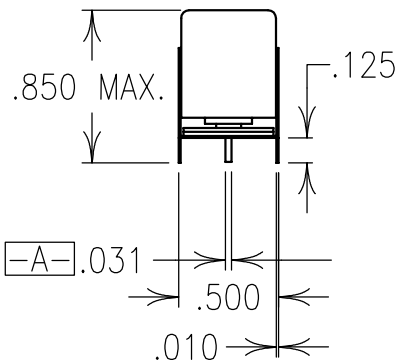
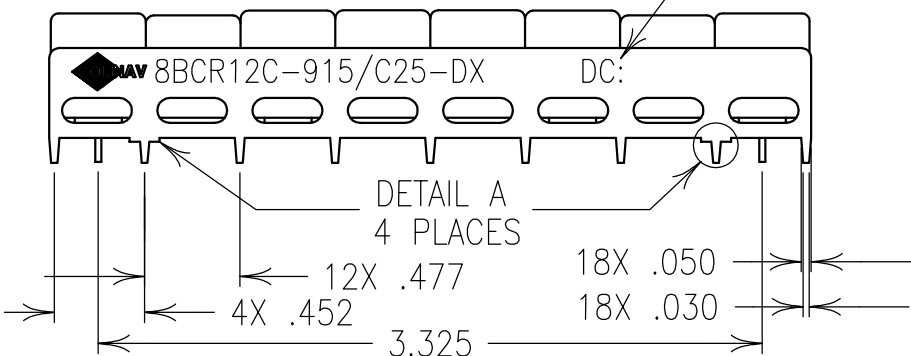


Confidential and Proprietary information of ComNav Engineering Inc. Do Not Duplicate or Use Without Permission. ComNav Engineering Inc. claims Copyright in this document as of the Creation, last revision, and last updated dates. All Rights Reserved.

ELECTRICAL SPECIFICATIONS

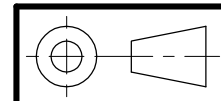
CENTER FREQUENCY (NOMINAL)	913.5 MHz
2.5 dB LOSS	906-921.5 MHz
4.0 dB LOSS	902-925.5 MHz
5.0 dB LOSS	925.5-926 MHz
PASSBAND VSWR	1.7:1
PASSBAND RIPPLE	< 0.25 dB
30 dB REJECTION	895 & 929 MHz
50 dB REJECTION	880 & 945 MHz
STORAGE TEMP	-40 TO +85° C
OPERATING TEMP	-40 TO +85° C
OPERATIONAL VIBRATION	5 TO 7.5 Hz 0.5 DOUBLE AMPLITUDE
	7.5 TO 500 Hz 10g AT +85° C
OPERATING HUMIDITY	95% NON-CONDENSING EACH AXIS
SHOCK	40 G, 11ms HALF SINE

NOTES 1&2



DETAIL A SCALE 2:1

COPY



NOTES:

- 1 DC: IS ON ONE SIDE ONLY.
- 2 DC IS EXPRESSED AS (WK)(YR)PA-#.

ENGLISH / METRIC ENGLISH		CHECKED BY					
TOLERANCES UNLESS OTHERWISE SPECIFIED		DRAWN BY		A	02APR99	SWB	DEV.
MACHINED SURFACES TO BE 125 OR BETTER		ENGINEER		II	11FEB99	MJG	DEV.
REMOVE ALL BURRS		SWB		REV	DATE	BY	DCN No.
ENGLISH (INCHES)	METRIC (MM)	SCALE		APPLIC: COAXIAL FILTER			
.XX ±.01	.X ±.25	1:1		TITLE: 8BCR12C-915/C25-DX			
.XXX ±.005	.XX ±.13	DATE		SHEET NO/OF			
ANGLES ± 0° 30'		09APR99		1 1			
MATERIAL: 0.010" THK NI/SIL		FINISH: NONE		DRAWING No. OL0168			

