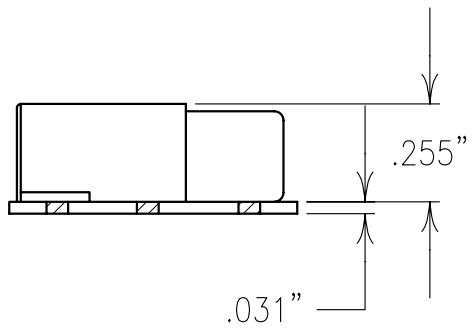
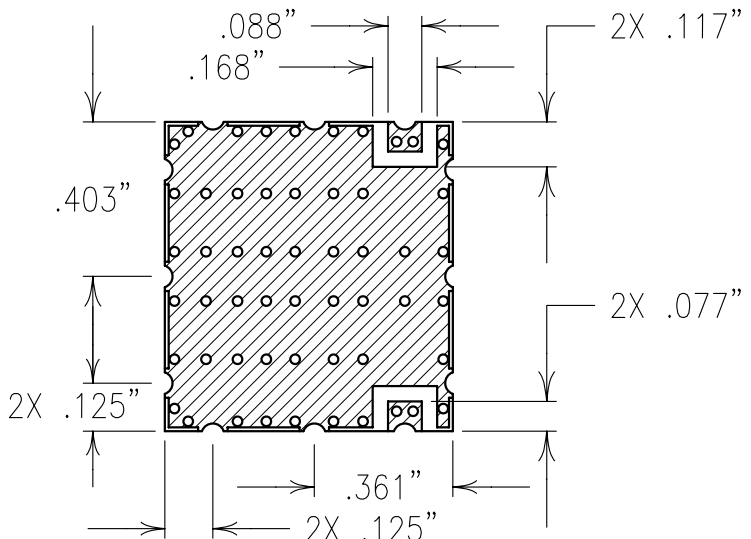
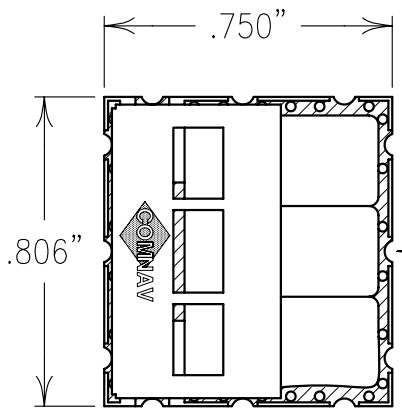


2

1

ELECTRICAL CHARACTERISTICS	
CENTER FREQUENCY	625 MHz
3 dB BANDWIDTH	25 MHz
INSERTION LOSS	<2.0 dB
50 dB REJECTION	fo ±100 MHz



COPY

NOTES:
 FOR RECOMMENDED FOOTPRINT SEE FP0053.
 RECOMMENDED ATTACHMENT METHOD: SILVER EPOXY
 OR REFLOW NOT TO EXCEED AS INDICATED BELOW:
 TEMP.(°C) MAX.TIME(SEC)
 215 90
 230 60
 245 30
 260 15

Confidential and Proprietary information of ComNav Engineering Inc. Do Not Duplicate or Use Without Permission. ComNav Engineering Inc. claims Copyright in this document as of the Creation, last revision, and last updated dates. All Rights Reserved.

ENGLISH / METRIC ENGLISH	CHECKED BY B	09JUL01	SWB	DEV.	GEN. REV. PER 1711
TOLERANCES UNLESS OTHERWISE SPECIFIED MACHINED SURFACES TO BE 125 / OR BETTER REMOVE ALL BURRS	DRAWN BY RME	A	09APR99	MJG	DEV. GEN. REV. PER 0987
	ENGINEER SWB	II	08JAN99	MJG	DEV. INIT. ISS. PER 0895
ENGLISH (INCHES) .XX ±.02 .XXX ±.010	METRIC (MM) .X ±.25 .XX ±.13	SCALE 2:1	DATE 11SEP01	APPLIC: CERAMIC COAXIAL FILTER	TITLE: 3BCR6E-625/25-L
ANGLES ± 0° 30'	FINISH: BOARD: Sn63Pb37 PLATED COPPER JACKET: NI/SILVER RESONATOR: SILVER	DRAWING No. 0L0154	SHEET OF 1 1		