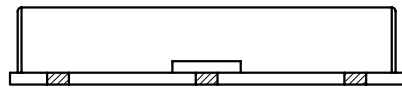
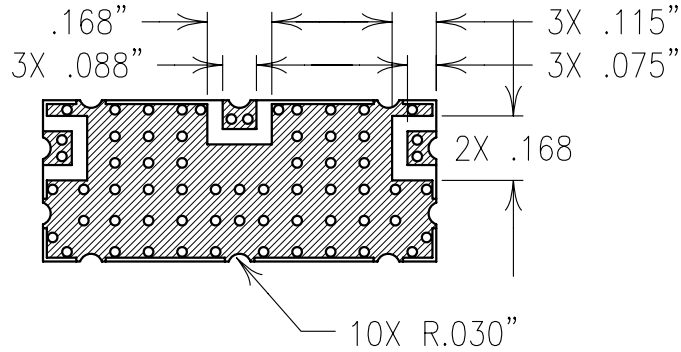
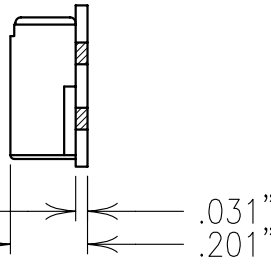
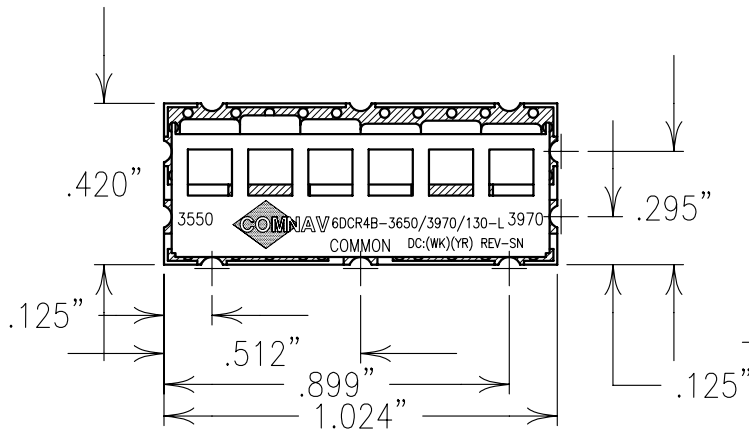


2

1

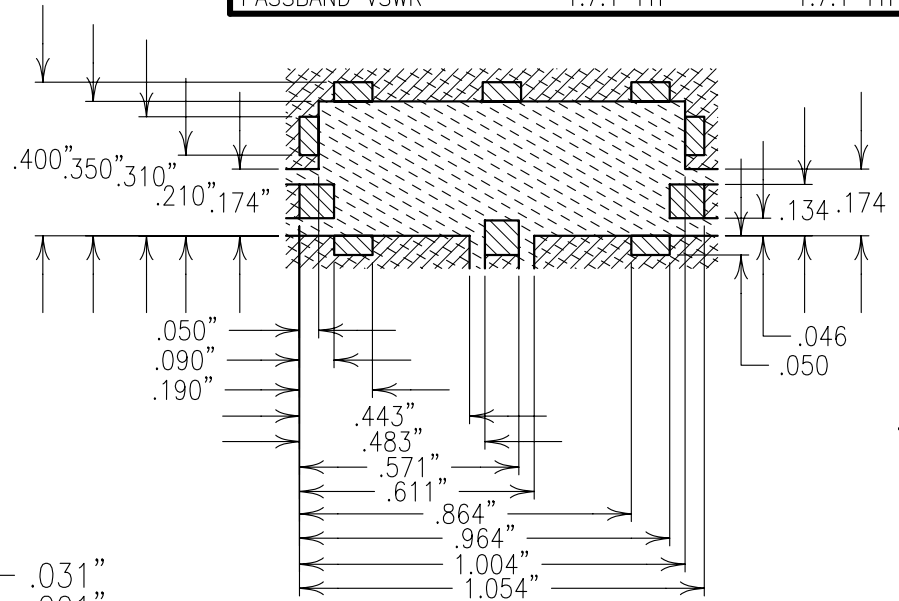


COPY



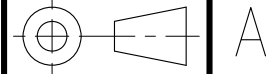
ELECTRICAL CHARACTERISTICS

SPECIFICATION	CHAN 1	CHAN 2
CENTER FREQUENCY	3650 MHz	3970 MHz
PASSBAND	3605-3695 MHz	3925-4015 MHz
20 dB REJECTION	3505 & 3795 MHz	3695 & 4115 MHz
30 dB REJECTION	3925 MHz	3695 & 4200 MHz
40 dB REJECTION	4500-8400 MHz	3000 MHz
50 dB REJECTION	-	5000-8400 MHz
PASSBAND LOSS	<1.8 dB	<1.8 dB
PASSBAND VSWR	1.7:1 TYP	1.7:1 TYP



RECOMMENDED FOOTPRINT*

Confidential and Proprietary information of ComNav Engineering Inc. Do Not Duplicate or Use Without Permission. ComNav Engineering Inc. claims Copyright in this document as of the Creation, last revision, and last updated dates. All Rights Reserved.



NOTES:
 NO TIN PLATING UNDER SOLDER MASK.
 RECOMMENDED ATTACHMENT METHOD: SILVER EPOXY OR REFLOW NOT TO EXCEED AS INDICATED BELOW:
 TEMP.(°C) MAX.TIME(SEC)

215	90		COPPER-NO TIN PLATING
230	60		TIN PLATED COPPER
245	30		SOLDER MASK
260	15		

ENGLISH / METRIC ENGLISH	CHECKED BY				
TOLERANCES UNLESS OTHERWISE SPECIFIED	DRAWN BY	PBF			
MACHINED SURFACES TO BE 125 / OR BETTER REMOVE ALL BURRS	ENGINEER	SWB	30DEC98	SWB	DEV.
ENGLISH (INCHES) XX ±.02 XXX ±.01	SCALE	2:1	REV	DATE	BY
METRIC (MM) .X ±.25 .XX ±.13	APPLIC:	COAXIAL FILTER	DCN No.	DEV.	INI. ISS. PER 0863
ANGLES ± 0° 30'	DATE	05JAN99	TITLE:	6DCR4B-3650/3970/130-L	REMARKS
	FINISH:	CARRIER BOARD:TIN PLATED COPPER JACKET:NI/SILVER RESONATOR:SILVER	DRAWING No.	010151	SHEET NO/OF 1 1

*FOOTPRINT IN DXF OR DWG FORMAT AVAILABLE UPON REQUEST.