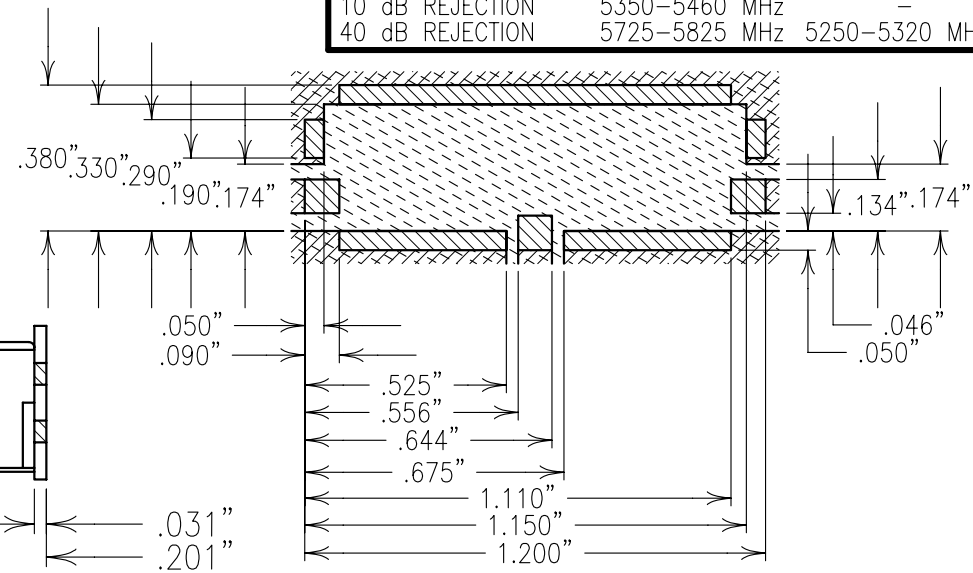
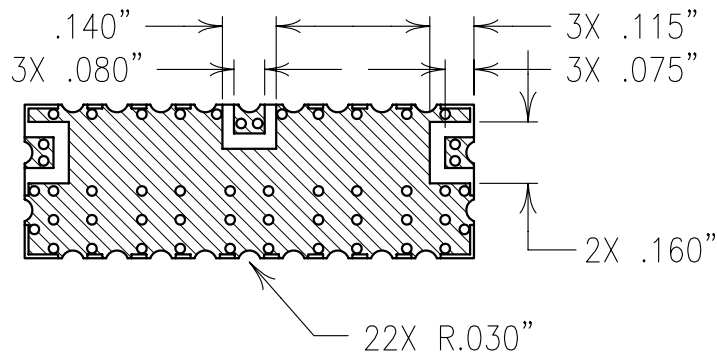


2

1

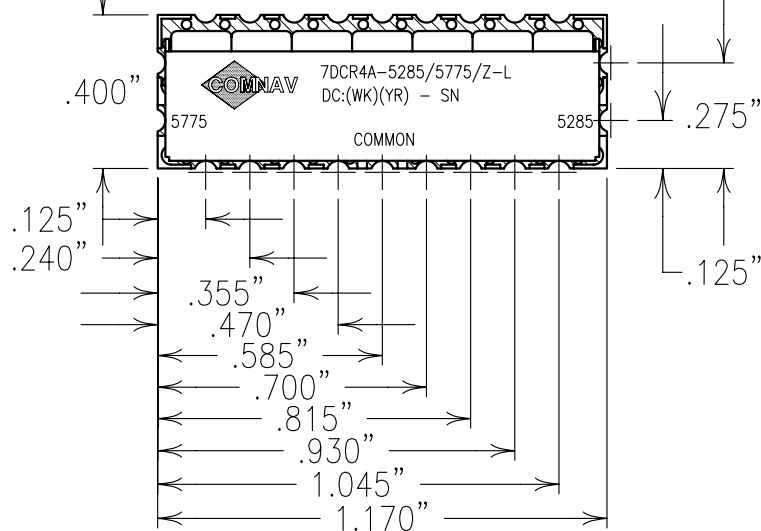
ELECTRICAL CHARACTERISTICS

SPECIFICATION	CHAN 1	CHAN 2
CENTER FREQUENCY	5285 MHz	5775 MHz
PASSBAND	5250-5320 MHz	5725-5825 MHz
PASSBAND LOSS	<3.5 MAX(3.0 GOAL)	<3.0 dB
PASSBAND VSWR	1.7:1	<1.7:1
10 dB REJECTION	5350-5460 MHz	-
40 dB REJECTION	5725-5825 MHz	5250-5320 MHz

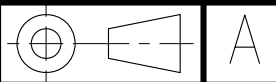


RECOMMENDED FOOTPRINT*

COPY



Confidential and Proprietary information of ComNav Engineering Inc. Do Not Duplicate or Use Without Permission. ComNav Engineering Inc. claims Copyright in this document as of the Creation, last revision, and last updated dates. All Rights Reserved.



NOTES:

NO TIN PLATING UNDER SOLDER MASK.
RECOMMENDED ATTACHMENT METHOD: SILVER EPOXY OR REFLOW NOT TO EXCEED AS INDICATED BELOW:
TEMP.(°C) MAX.TIME(SEC)

215	90		COPPER-NO TIN PLATING
230	60		TIN PLATED COPPER
245	30		SOLDER MASK
260	15		

ENGLISH / METRIC ENGLISH	CHECKED BY	C	28MAY00	SWB	DEV.	GEN. REV. PER 1215
TOLERANCES UNLESS OTHERWISE SPECIFIED MACHINED SURFACES TO BE 125 / OR BETTER REMOVE ALL BURRS	DRAWN BY RME ENGINEER SWB	B	26OCT99	SLB	DEV.	GEN. REV. PER 1118
ENGLISH (INCHES) .XX ±.02 .XXX ±.01	SCALE 2:1	A	23SEP99	MJG	DEV.	GEN. REV. PER 1093
METRIC (MM) .X ±.25 .XX ±.13	DATE 17JUL00	REV	DATE	BY	DCN No.	REMARKS
ANGLES ± 0° 30'	APPLIC: COAXIAL FILTER					
	FINISH: CARRIER BOARD:TIN PLATED COPPER JACKET:NI/SILVER RESONATOR:SILVER	TITLE: 7DCR4A-5285/5775/Z-L				SHEET NO/OF 1 1
					DRAWING No. 0L0145	

*FOOTPRINT IN DXF OR DWG FORMAT AVAILABLE UPON REQUEST.