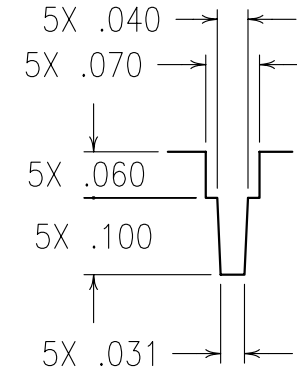
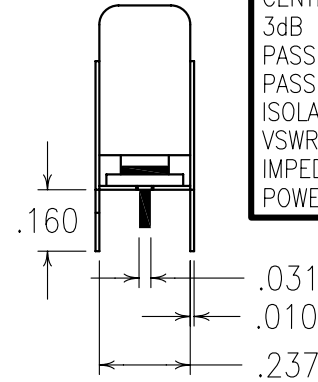
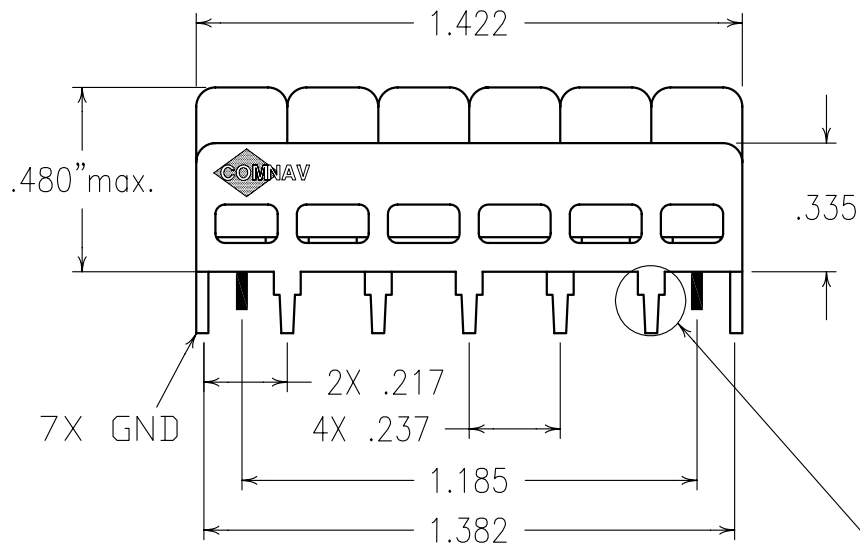


2

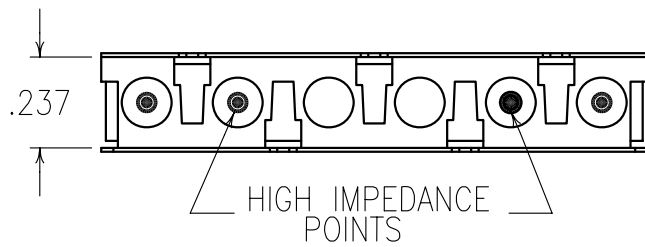
1



### ELECTRICAL CHARACTERISTICS

CENTER FREQUENCY	1880 MHz nom.
3dB BANDWIDTH	65 MHz nom.
PASSBAND	1850 - 1910 MHz
PASSBAND LOSS	<2.0 dB
ISOLATION (1930 - 1990)	>32 dB
VSWR	1.5:1
IMPEDANCE	50 OHMS
POWER	5 WATTS

# COPY



Confidential and Proprietary information of ComNav Engineering Inc. Do Not Duplicate or Use Without Permission. ComNav Engineering Inc. claims Copyright in this document as of the Creation, last revision, and last updated dates. All Rights Reserved.

### NOTES:

FILTER IS A BI-DIRECTIONAL CROSS-COUPLED DESIGN.

ENGLISH / METRIC ENGLISH	CHECKED BY					
TOLERANCES UNLESS OTHERWISE SPECIFIED MACHINED SURFACES TO BE 125 OR BETTER REMOVE ALL BURRS	DRAWN BY PBF	II	12SEP98	SWB	DEV.	INI. ISS. PER 0736
ENGLISH (INCHES) .XX ±.02 .XXX ±.01	ENGINEER SWB	REV	DATE	BY	DCN No.	REMARKS
METRIC (MM) .X ±.25 .XX ±.13	SCALE 2:1	APPLIC: COAXIAL FILTER				
ANGLES ± 0° 30'	DATE 02OCT98	TITLE: 6BCR6B-1880/C65-DX				
	FINISH: BOARD:TIN PLATED COPPER JACKET:NI/SILVER RESONATOR:SILVER	DRAWING No. 0L0134				

SHEET NO/OF  
1 1