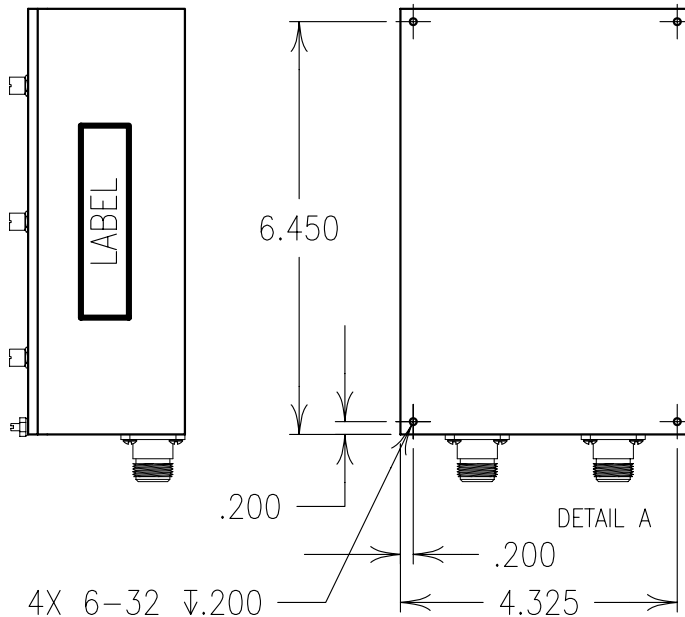
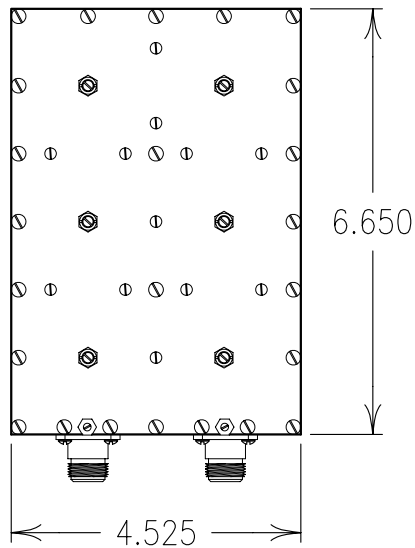


2

1

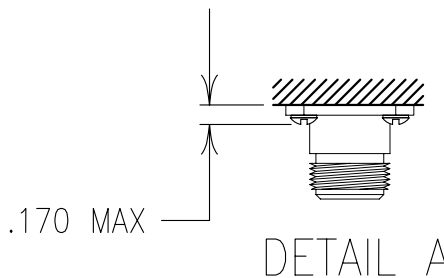
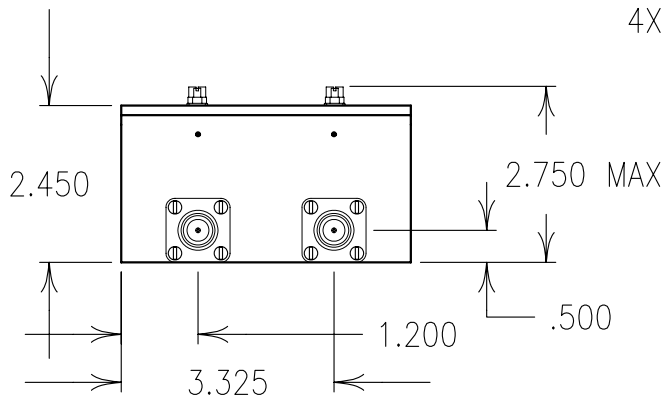


**FUNCTION REQUIREMENTS**

**Electrical**

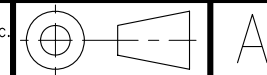
Passband	851-866 MHz
Loss over Temp	< 1.5 dB
Power Handling	>= 100 watts
VSWR (I/O)	<1.5:1
Rejections:	>90 dB @ 817.75
	>85 dB @ 822.75
	>75 dB @ 832.75
	>57 dB @ 837.75
	>39 dB @ 842.75
	>13 dB @ 847.75
	>35 dB @ 872.75
	>60 dB @ 877.75
	>75 dB @ 882.75
	>75 dB @ 887.75
	>80 dB @ 892.75
	>85 dB @ 897.75

B



**COPY**

Confidential and Proprietary information of ComNav Engineering Inc. Do Not Duplicate or Use Without Permission. ComNav Engineering Inc. claims Copyright in this document as of the Creation, last revision, and last updated dates. All Rights Reserved.



**NOTES:**

LABEL CONTAINS COMNAV PART #, ADC #, REVISION LEVEL, DATE CODE AND BAR CODE.

ENGLISH / METRIC ENGLISH	CHECKED BY	E	21OCT98	MJG	DEV.	GEN. REV. PER 0779
TOLERANCES UNLESS OTHERWISE SPECIFIED MACHINED SURFACES TO BE 125 OR BETTER REMOVE ALL BURRS	DRAWN BY	D	10JUL98	MJG	DEV.	GEN. REV. PER 0641
	ENGINEER	C	25JUN98	MJG	DEV.	GEN. REV. PER 0632
	MJG	REV	DATE	BY	DCN No.	REMARKS
ENGLISH (INCHES) .XX ±.02 .XXX ±.01	METRIC (MM) .X ±.25 .XX ±.13	SCALE	APPLIC: COAXIAL FILTER			
ANGLES ± 0° 30'	DATE	28OCT98	TITLE:	6BCV8-858.5/C17-N		SHEET NO/OF 1 1
	MATERIALS: 6061-T6 ALUMINUM FINISH: SILVER PLATE WITH WHITE POLYURETHANE PAINT	DRAWING No. 0L0121				

A