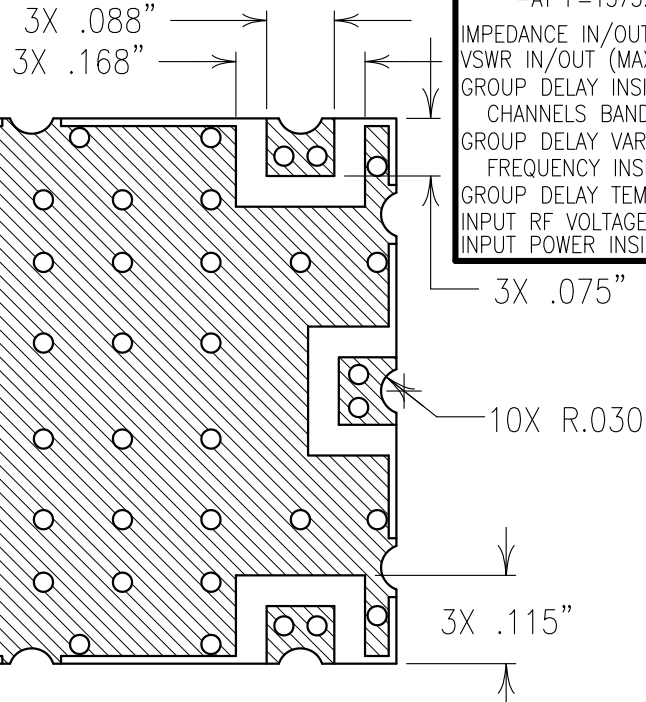
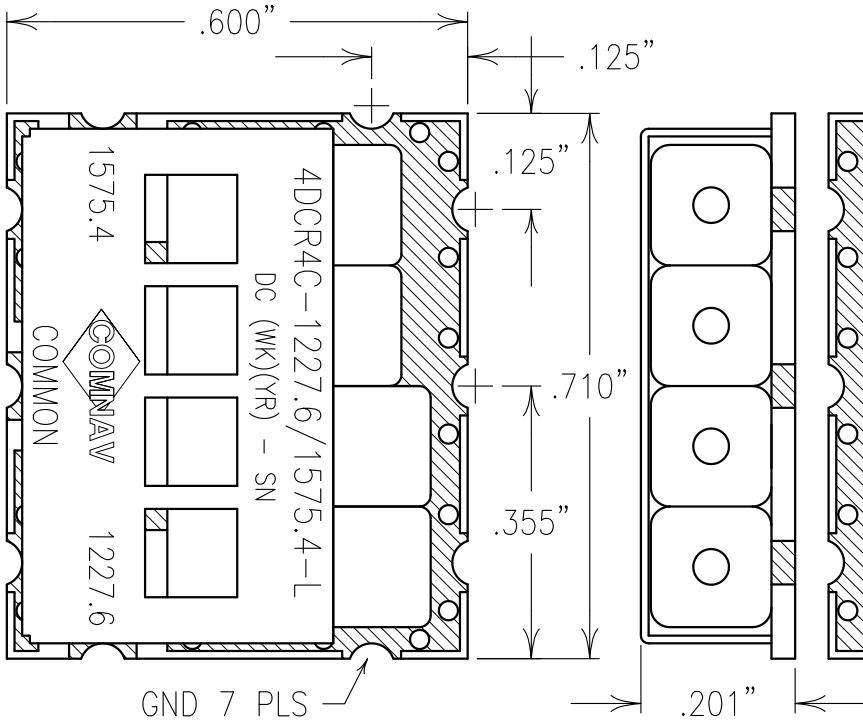
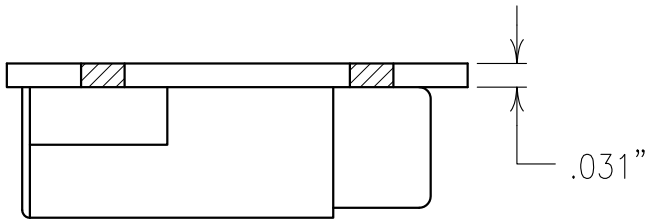


COPY

ELECTRICAL CHARACTERISTICS

	CHANNEL 1	CHANNEL 2
CENTER FREQUENCY	1575.4 MHz	1227.6 MHz
BANDWIDTH(MIN)	≥ ±10 MHz	≥ ±10 MHz
INSERTION LOSS(MAX)	≤ 0.7 dB	≤ 0.7 dB
RIPPLE INSIDE BW(MAX)	0.5 dB	0.5 dB
OUT OF BAND REJECTION(MIN):		
-AT Fo ±50 MHz:	≥ 5 dB	≥ 5 dB
-AT Fo ±75 MHz:	≥ 12 dB	≥ 12 dB
-AT Fo ±300 MHz:	≥ 33 dB	≥ 33 dB
-AT F=1227.6 MHz:	≥ 40 dB	-
-AT F=1575.4 MHz:	-	≥ 35 dB
IMPEDANCE IN/OUT(NOM)	50 OHM	
VSWR IN/OUT (MAX)	2.0:1	
GROUP DELAY INSIDE BOTH CHANNELS BANDWIDTH(MAX)	≤ 15 ns	
GROUP DELAY VARIATION VERSUS FREQUENCY INSIDE BW(max)	≤ 3 ns peak-peak	
GROUP DELAY TEMP. GRAD.(MAX)	≤ T.B.D. ps/°C	
INPUT RF VOLTAGE	1000 V RMS	
INPUT POWER INSIDE BW	30 dBm	



Confidential and Proprietary information of ComNav Engineering Inc. Do Not Duplicate or Use Without Permission. ComNav Engineering Inc. claims Copyright in this document as of the Creation, last revision, and last updated dates. All Rights Reserved.

NOTES:

FOR RECOMMENDED FOOTPRINT SEE FP0002.
 RECOMMENDED ATTACHMENT METHOD: SILVER EPOXY
 OR REFLOW NOT TO EXCEED AS INDICATED BELOW:

TEMP.(°C) MAX.	TIME(SEC)
215	90
230	60
245	30
260	15

FILTER IS ROHS COMPLIANT.
 FILTER MAY BE ETCHED OR LABELED.

ENGLISH / METRIC ENGLISH	CHECKED BY B	21MAR14	TLA	DEV.	GEN. REV. PER 3775
TOLERANCES UNLESS OTHERWISE SPECIFIED MACHINED SURFACES TO BE 125 OR BETTER REMOVE ALL BURRS	DRAWN BY PBF	A	09AUG06	MJG	DEV. GEN. REV. PER 2547
ENGLISH (INCHES) .XX ±.02 .XXX ±.010	ENGINEER MJG	II	04JUN98	SWB	DEV. INIT. REV. PER 0608
METRIC (MM) .X ±.5 .XX ±.25	SCALE 4:1	REV	DATE	BY	DCN No. REMARKS
ANGLES ± 0° 30'	DATE 21MAR14	APPLIC: CERAMIC COAXIAL FILTER			
FINISH: BOARD: NI/GOLD JACKET: NI/SILVER RESONATOR: SILVER	TITLE: 4DCR4C-1227.6/1575.4-L				DRAWING No. 010118
COMNAV ENGINEERING INC.	SHEET OF 1 1				