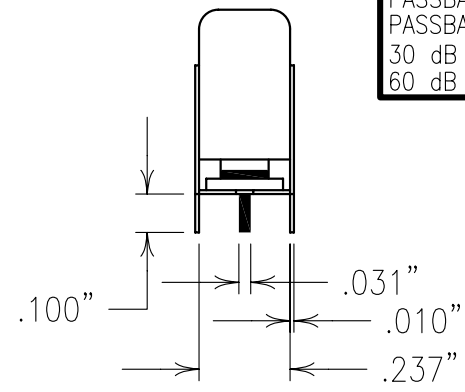
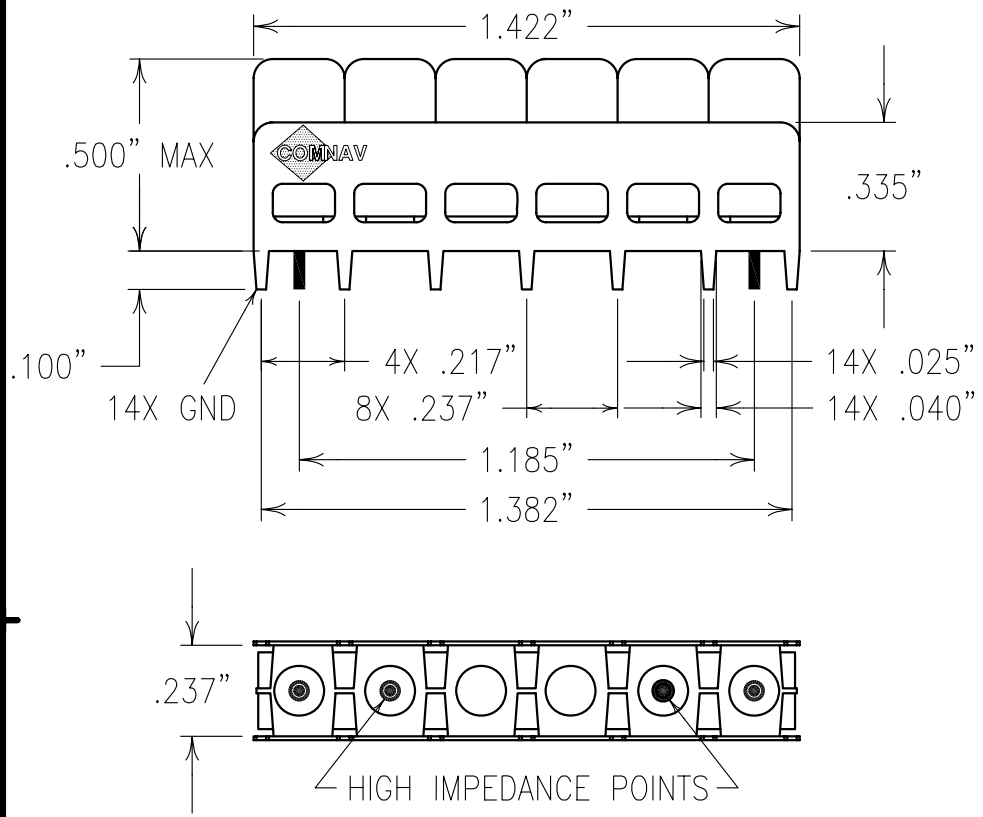
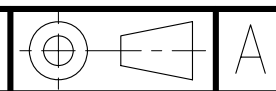


ELECTRICAL CHARACTERISTICS	
CENTER FREQUENCY	917.5 MHz
3 dB BANDWIDTH	25 MHz NOM
PASSBAND	910-925 MHz
PASSBAND LOSS	<5.0 dB
PASSBAND VSWR	<1.5:1
30 dB REJECTION	895 & 941 MHz
60 dB ULTIMATE OUT	1400 MHz NOM



**COPY**

Confidential and Proprietary information of ComNav Engineering Inc. Do Not Duplicate or Use Without Permission. ComNav Engineering Inc. claims Copyright in this document as of the Creation, last revision, and last updated dates. All Rights Reserved.



NOTES:  
 FILTER IS A BI-DIRECTIONAL CROSS-COUPLED DESIGN.  
 MAX REFLOW TEMP. 240°C FOR 30 SEC., OR 260°C FOR 15 SEC.  
 FOR RECOMMENDED FOOTPRINT SEE FP0013.

ENGLISH / METRIC ENGLISH	CHECKED BY					
TOLERANCES UNLESS OTHERWISE SPECIFIED MACHINED SURFACES TO BE 125 OR BETTER REMOVE ALL BURRS	DRAWN BY RME	A	05JUN01	SWB	DEV.	GEN. REV. PER 1645
ENGLISH (INCHES) .XX ±.02 .XXX ±.010	ENGINEER SWB	II	27MAY98	MJG	DEV.	INIT. ISS. PER 0595
METRIC (MM) .X ±.25 .XX ±.13	SCALE 2:1	REV	DATE	BY	DCN No.	REMARKS
ANGLES ± 0° 30'	DATE 11JUN01	APPLIC: CERAMIC COAXIAL FILTER				SHEET NO/OFF 1 1
	FINISH: JACKET: NI/SILVER RESONATORS: SILVER PINS: TIN PLATED BRASS	DRAWING No. 0L0115				