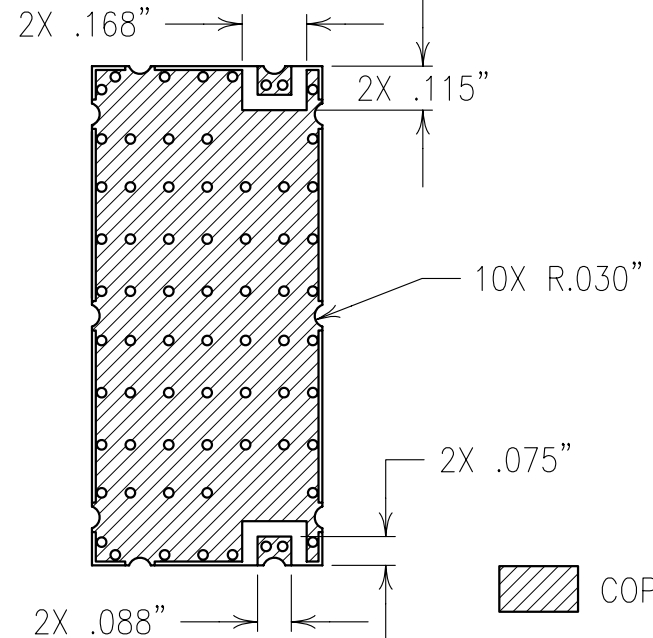
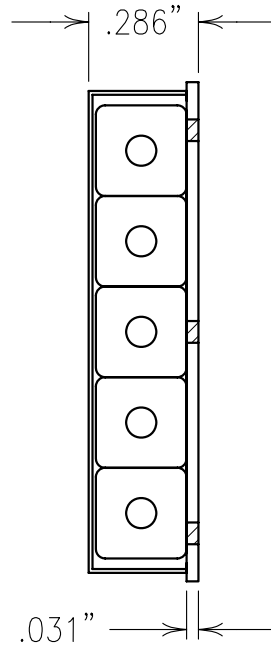
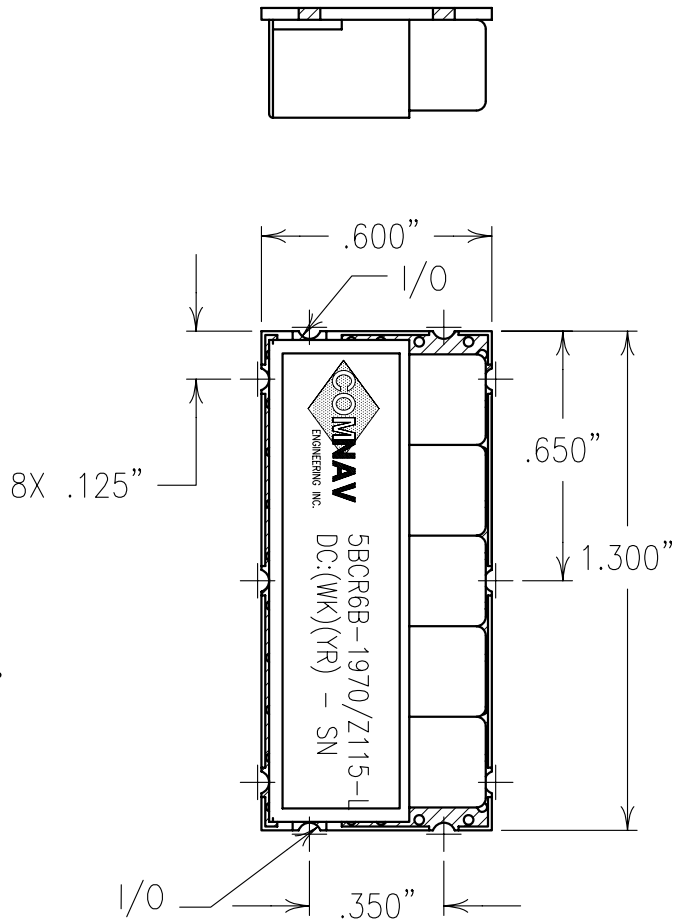


2

1

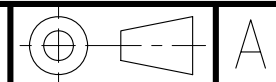
**COPY**

ELECTRICAL CHARACTERISTICS	
CENTER FREQUENCY	1970 MHz
PASSBAND	1925-1995 MHz
PASSBAND FLATNESS	0.3 dB OVER ANY 10 MHz
PASSBAND VSWR	<1.5:1
PASSBAND LOSS	<1.5 dB
70 dB REJECTION	DC-1850 MHz
IMPEDANCE	50 OHMS
OPERATING TEMP.	-40°C TO +85°C



COPPER

Confidential and Proprietary information of ComNav Engineering Inc. Do Not Duplicate or Use Without Permission. ComNav Engineering Inc. claims Copyright in this document as of the Creation, last revision, and last updated dates. All Rights Reserved.



NOTES:  
 FOR RECOMMENDED FOOTPRINT SEE FP0014.  
 RECOMMENDED ATTACHMENT METHOD: SILVER EPOXY  
 OR REFLOW NOT TO EXCEED AS INDICATED BELOW:  
 TEMP.(°C) MAX.TIME(SEC)  
 215 90  
 230 60  
 245 30  
 260 15

ENGLISH / METRIC ENGLISH	CHECKED BY	B	01MAY02	RME	DEV.	GEN. REV. PER 1892
TOLERANCES UNLESS OTHERWISE SPECIFIED MACHINED SURFACES TO BE 125 OR BETTER REMOVE ALL BURRS	DRAWN BY	A	06JUL98	SWB	DEV.	GEN. REV. PER 0644
	ENGINEER	II	21MAY98	MJG	DEV.	INI. ISS. PER 0589
	SWB	REV	DATE	BY	DCN No.	REMARKS
ENGLISH (INCHES) .XX ±.02 .XXX ±.01	METRIC (MM) .X ±.25 .XX ±.13	SCALE	APPLIC: CERAMIC COAXIAL FILTER			
ANGLES ± 0° 30'	DATE	TITLE: 5BCR6B-1970/Z115-L				
	FINISH: BOARD: NI/AU JACKET: NI/SILVER RESONATOR: SILVER			DRAWING No.		SHEET/OF 1/1
				0L0111		