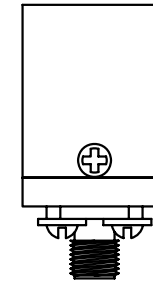
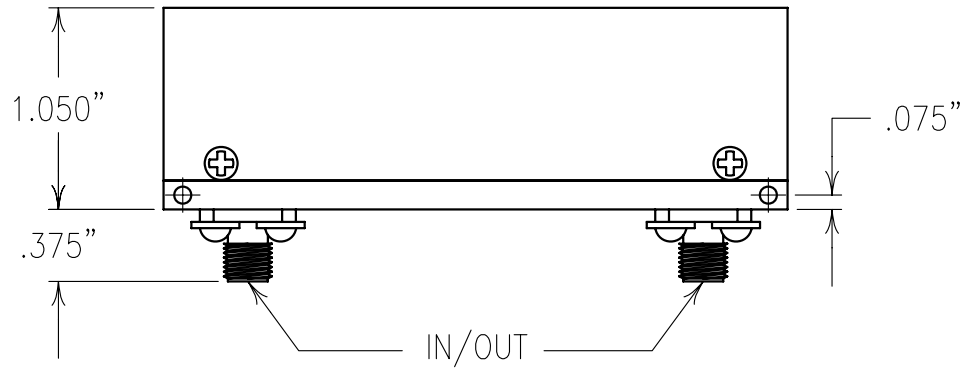


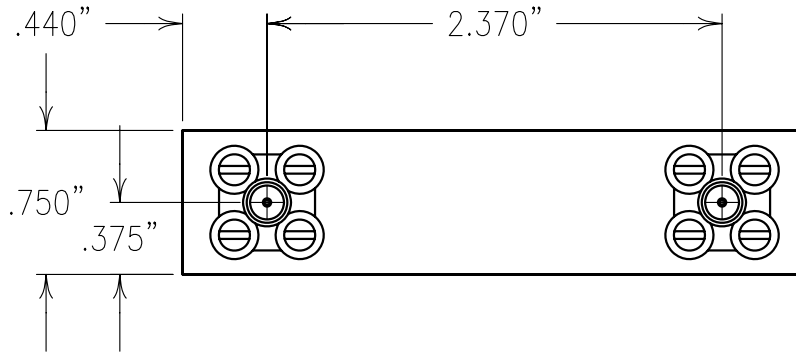
2

1



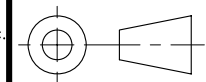
B

**COPY**



ELECTRICAL CHARACTERISTICS	
INSERTION LOSS	6.5 dB NOM
3 dB BANDWIDTH	>5.0 ±0.2 MHz
30 dB BANDWIDTH	≤12 MHz
VSWR	1.5:1

Confidential and Proprietary information of ComNav Engineering Inc. Do Not Duplicate or Use Without Permission. ComNav Engineering Inc. claims Copyright in this document as of the Creation, last revision, and last updated dates. All Rights Reserved.



A

NOTES:

ENGLISH / METRIC ENGLISH		CHECKED BY						
TOLERANCES UNLESS OTHERWISE SPECIFIED MACHINED SURFACES TO BE 125 / OR BETTER REMOVE ALL BURRS		DRAWN BY PBF						
ENGLISH (INCHES) .XX ±.02 .XXX ±.01		METRIC (MM) .X ±.25 .XX ±.13		II	05MAR98	MJG	DEV.	
ANGLES ± 0° 30'		SCALE 1:1		REV	DATE	BY	DCN No.	
MATERIALS: N/A		DATE 23MAR98		APPLIC: COAXIAL FILTER				
FINISH: N/A		TITLE: 6BCR12B-1470/C5-0					SHEET NO/OF 1 1	
DRAWING No. 0L0097								

A

