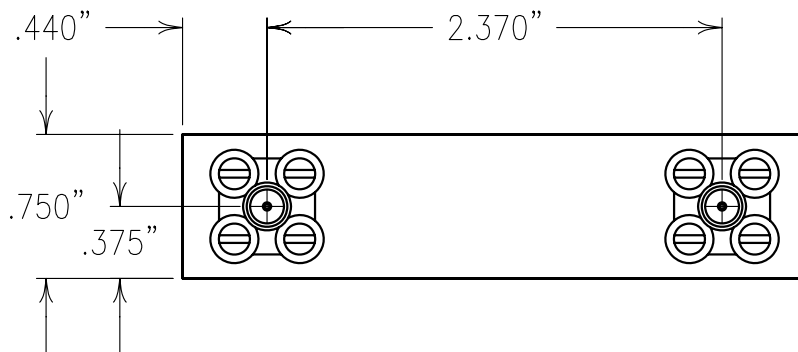
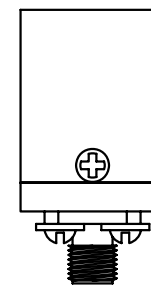
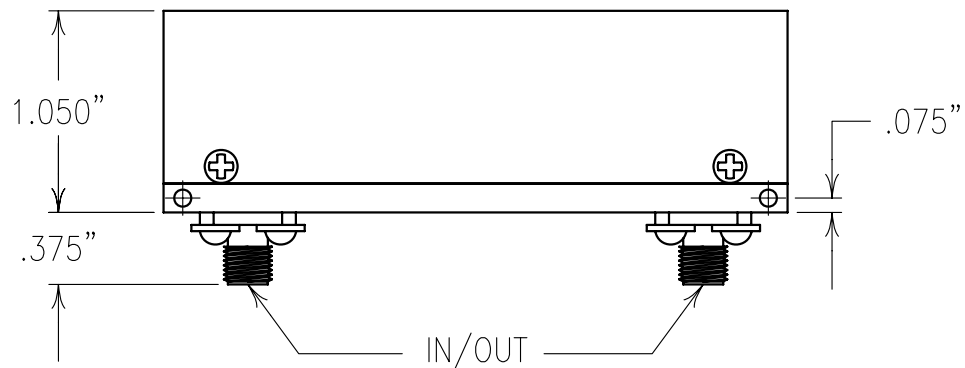


2

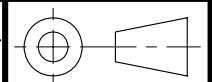
1



**COPY**

ELECTRICAL CHARACTERISTICS	
INSERTION LOSS	6.5 dB NOM
3 dB BANDWIDTH	>5.7 MHz
30 dB BANDWIDTH	<12 MHz
VSWR	1.5:1

Confidential and Proprietary information of ComNav Engineering Inc. Do Not Duplicate or Use Without Permission. ComNav Engineering Inc. claims Copyright in this document as of the Creation, last revision, and last updated dates. All Rights Reserved.



A

NOTES:

ENGLISH / METRIC ENGLISH		CHECKED BY					
TOLERANCES UNLESS OTHERWISE SPECIFIED MACHINED SURFACES TO BE 125 OR BETTER REMOVE ALL BURRS		DRAWN BY PBF					
ENGLISH (INCHES) .XX ±.02 .XXX ±.01		METRIC (MM) .X ±.25 .XX ±.13		II	05MAR98	MJG	DEV.
ANGLES ± 0° 30'		SCALE 1:1	ENGINEER MJG	REV	DATE	BY	DCN No.
		DATE 23MAR98	APPLIC: COAXIAL FILTER				GEN. REV. PER 0534
		TITLE: 6BCR12B-1470/C6-0					SHEET NO/OF 1 1
		MATERIALS: N/A			DRAWING No. 0L0096		
		FINISH: N/A					

A

