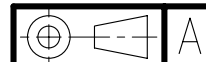
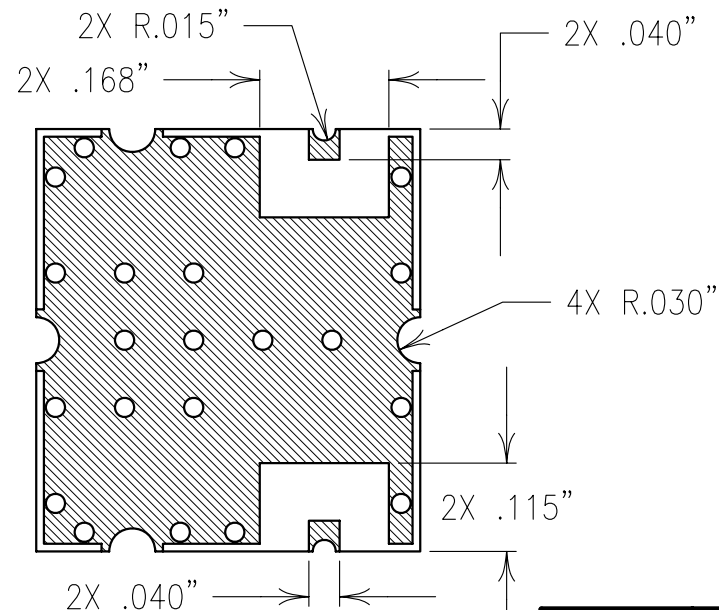
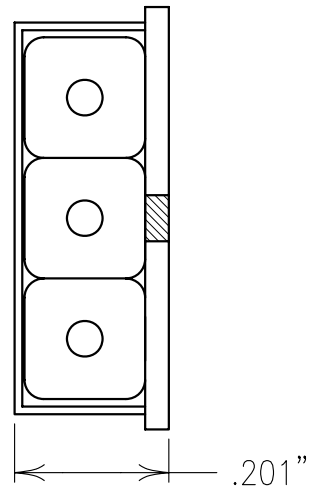
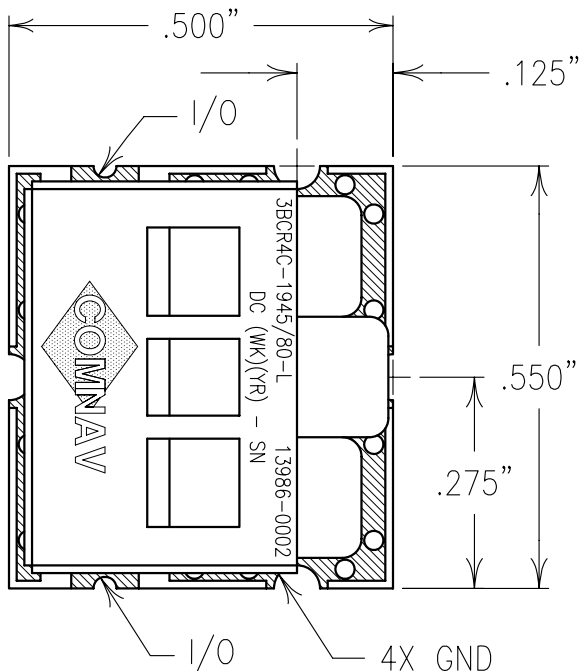


COPY

ELECTRICAL CHARACTERISTICS	
CENTER FREQUENCY	1945 MHz
1.0 dB BANDWIDTH	50 MHz MIN
PASSBAND RIPPLE	0.75 dB PEAK-PEAK MIN
REJECTION POINTS	-45 dB @ 2250 MHz -25 dB @ 1500 MHz
MIDBAND INSERTION LOSS	3 dB MAX
RETURN LOSS	
ACROSS 1 dB BW	12dB MIN(50 OHM SYSTEM)
PACKAGE	SHIELDED SURFACE MOUNT



Confidential and Proprietary information of ComNav Engineering Inc. Do Not Duplicate or Use Without Permission. ComNav Engineering Inc. claims Copyright in this document as of the Creation, last revision, and last updated dates. All Rights Reserved.

NOTES:

FOR RECOMMENDED FOOTPRINT SEE FP0030.

RECOMMENDED ATTACHMENT METHOD: SILVER EPOXY OR REFLOW NOT TO EXCEED AS INDICATED BELOW:

TEMP.(°C)	MAX.TIME(SEC)
215	90
230	60
245	30
260	15

ENGLISH / METRIC ENGLISH	CHECKED BY	C	10JAN01	SWB	DEV.	GEN. REV. PER 1472
TOLERANCES UNLESS OTHERWISE SPECIFIED MACHINED SURFACES TO BE 125 / OR BETTER REMOVE ALL BURRS	DRAWN BY	B	29MAY00	SWB	DEV.	GEN. REV. PER 1190
	ENGINEER	A	18JUN99	MJG	DEV.	GEN. REV. PER 1032
	SWB	REV	DATE	BY	DCN No.	REMARKS
ENGLISH (INCHES) .XX ±.02 .XXX ±.01	METRIC (MM) .X ±.25 .XX ±.13	SCALE	APPLIC: CERAMIC COAXIAL FILTER			
ANGLES ± 0° 30'	DATE	19JAN01	TITLE: 3BCR4C-1945/80-L			SHEET NO/OF 1 1
	FINISH: CARRIER BOARD:TIN PLATED COPPER JACKET:NI/SILVER RESONATOR:SILVER	DRAWING No. 0L0089				