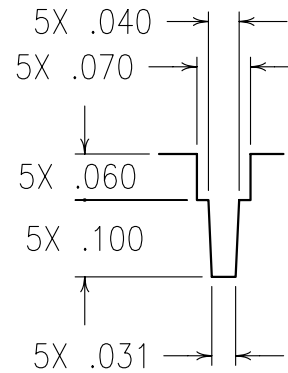
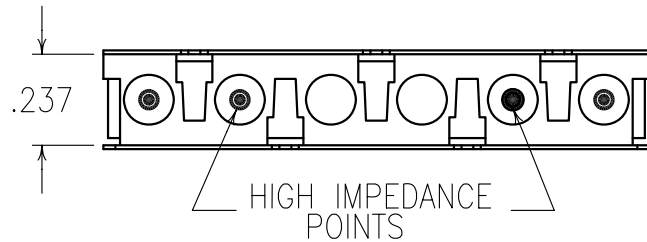
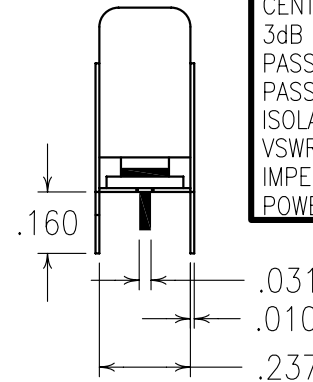
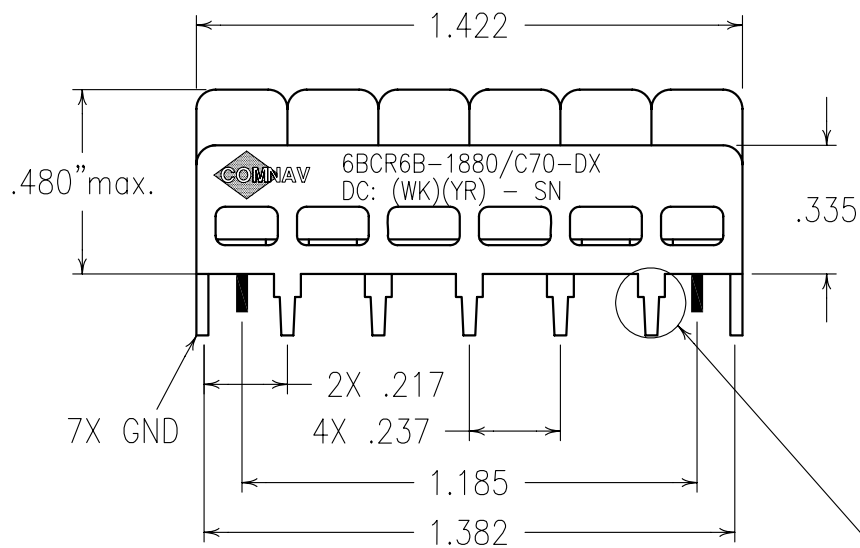


2

1

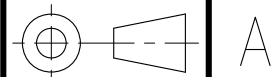


ELECTRICAL CHARACTERISTICS

CENTER FREQUENCY	1880 MHz nom.
3dB BANDWIDTH	70 MHz nom.
PASSBAND	1850 - 1910 MHz
PASSBAND LOSS	<3.0 dB
ISOLATION (1930 - 1990)	>30 dB
VSWR	1.7:1
IMPEDANCE	50 OHMS
POWER	5 WATTS

**COPY**

Confidential and Proprietary information of ComNav Engineering Inc. Do Not Duplicate or Use Without Permission. ComNav Engineering Inc. claims Copyright in this document as of the Creation, last revision, and last updated dates. All Rights Reserved.



NOTES:  
 FILTER IS A BI-DIRECTIONAL CROSS-  
 -COUPLED DESIGN.  
 FOR RECOMMENDED FOOTPRINT SEE FP0013.

ENGLISH / METRIC ENGLISH	CHECKED BY B	10SEP01	TW	DEV.	GEN. REV. PER 1720
TOLERANCES UNLESS OTHERWISE SPECIFIED MACHINED SURFACES TO BE 125 / OR BETTER REMOVE ALL BURRS	DRAWN BY RME	A	01NOV00	SWB	DEV. GEN. REV. PER 1375
ENGLISH (INCHES) .XX ±.02 .XXX ±.010	ENGINEER SWB	II	18FEB98	SWB	DEV. INI. ISS. PER 0515
METRIC (MM) .X ±.25 .XX ±.13	SCALE 2:1	REV	DATE	BY	DCN No. REMARKS
ANGLES ± 0° 30'	DATE 06NOV00	APPLIC: CERAMIC COAXIAL FILTER			SHEET NO/OF 1 1
	FINISH: JACKET: NI/SILVER RESONATOR: SILVER PINS: TIN PLATED BRASS	TITLE: 6BCR6B-1880/C70-DX			DRAWING No. 0L0087