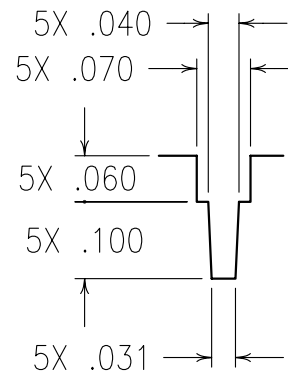
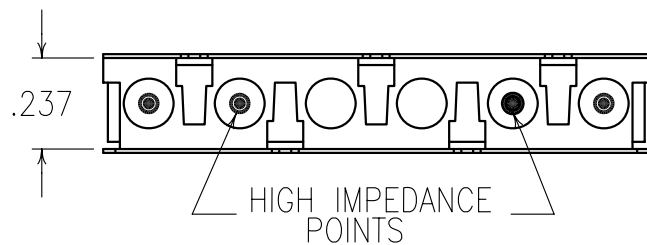
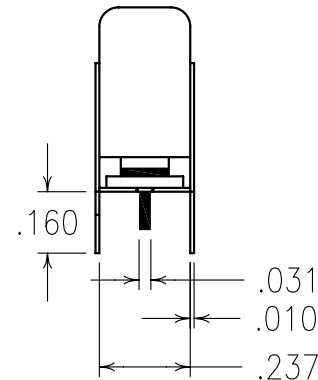
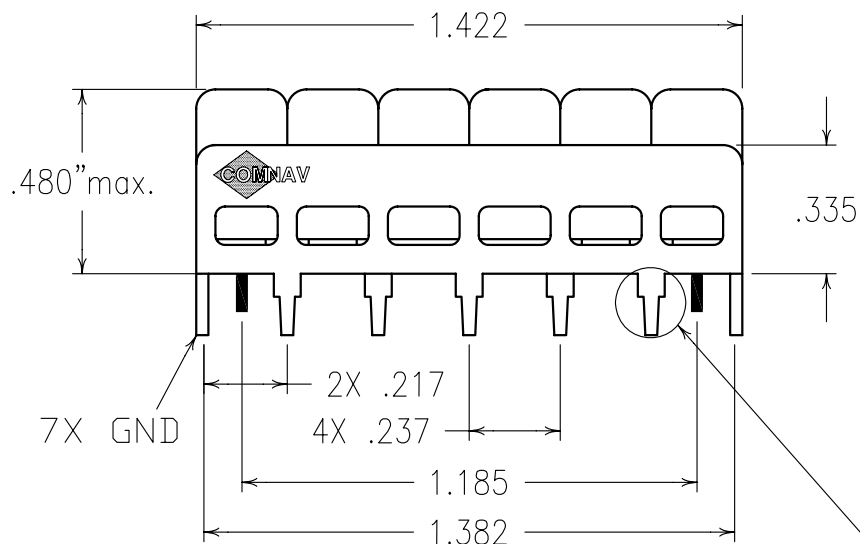


2

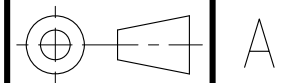
1



ELECTRICAL CHARACTERISTICS	
CENTER FREQUENCY	1843 MHz nom.
3dB BANDWIDTH	95 MHz nom.
PASSBAND	1805 - 1880 MHz
PASSBAND LOSS	<3.0 dB
ISOLATION (1710 - 1785)	30 dB
50 dB REJECTION	1700, 2050 MHz
VSWR	≤1.7:1
IMPEDANCE	50 OHMS
POWER	5 WATTS

COPY

Confidential and Proprietary information of ComNav Engineering Inc. Do Not Duplicate or Use Without Permission. ComNav Engineering Inc. claims Copyright in this document as of the Creation, last revision, and last updated dates. All Rights Reserved.



NOTES:
 FILTER IS A BI-DIRECTIONAL CROSS-COUPLED DESIGN.

ENGLISH / METRIC ENGLISH	CHECKED BY				
TOLERANCES UNLESS OTHERWISE SPECIFIED MACHINED SURFACES TO BE 125 OR BETTER REMOVE ALL BURRS	DRAWN BY PBF	II	18FEB98	SWB	DEV.
ENGLISH (INCHES) .XX ±.02 .XXX ±.01	ENGINEER SWB	REV	DATE	BY	DCN No.
METRIC (MM) .X ±.25 .XX ±.13	SCALE 2:1	APPLIC: COAXIAL FILTER			
ANGLES ± 0° 30'	DATE 04MAR98	TITLE: 6BCR6B-1843/C95-DX			SHEET NO/OF 1 1
	FINISH: BOARD:TIN PLATED COPPER JACKET:NI/SILVER RESONATOR:SILVER	DRAWING No. 0L0086			