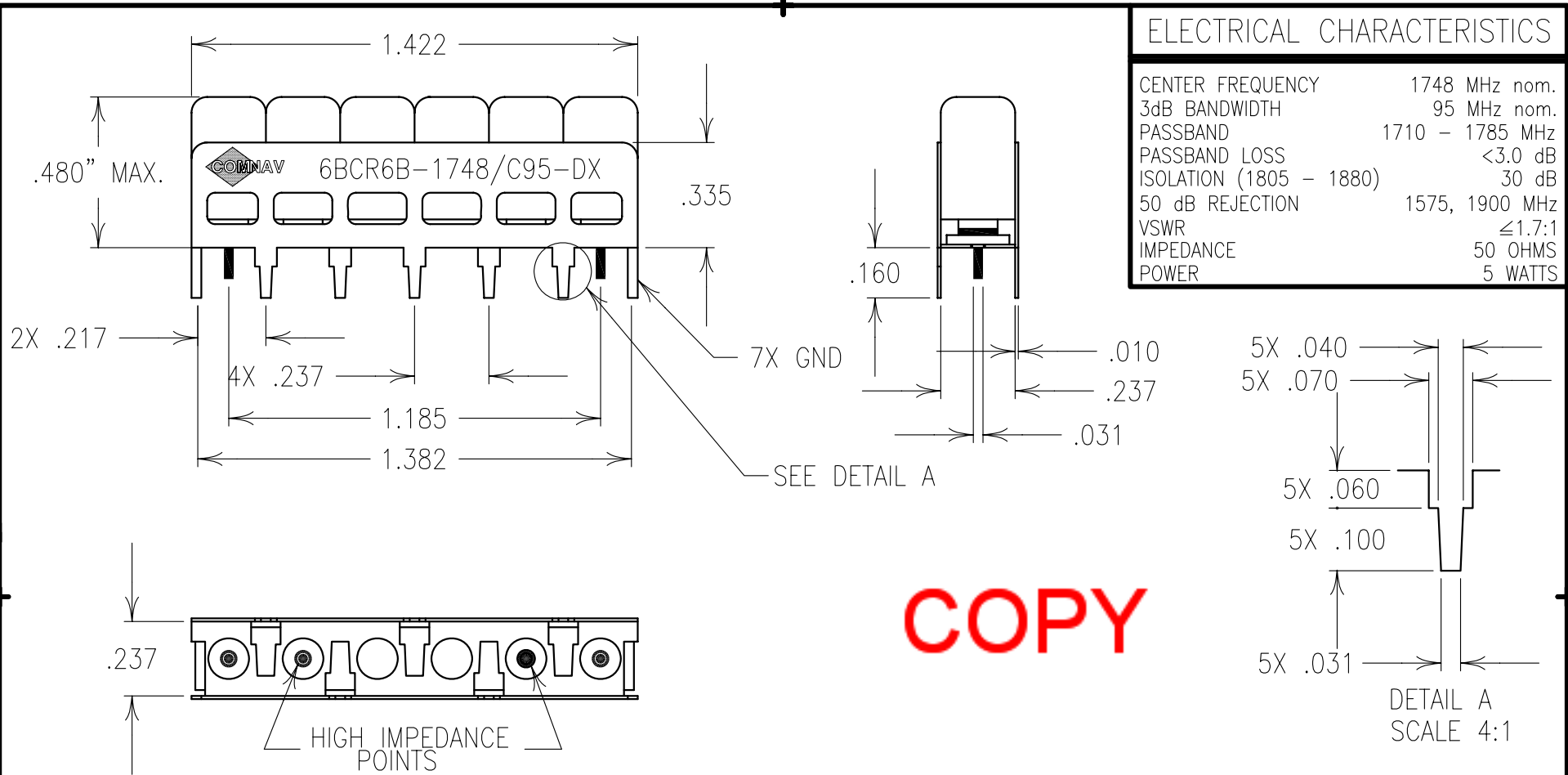


2

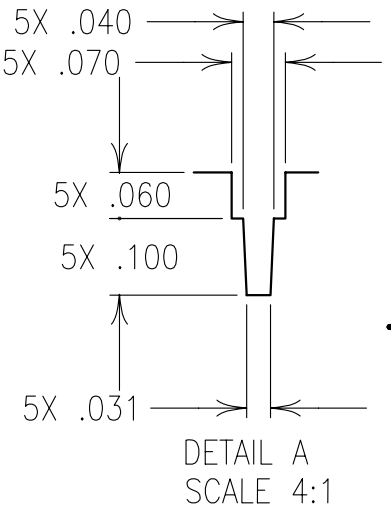
1



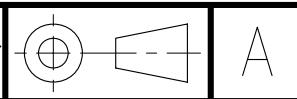
ELECTRICAL CHARACTERISTICS

CENTER FREQUENCY	1748 MHz nom.
3dB BANDWIDTH	95 MHz nom.
PASSBAND	1710 - 1785 MHz
PASSBAND LOSS	<3.0 dB
ISOLATION (1805 - 1880)	30 dB
50 dB REJECTION	1575, 1900 MHz
VSWR	≤1.7:1
IMPEDANCE	50 OHMS
POWER	5 WATTS

COPY



Confidential and Proprietary information of ComNav Engineering Inc.
 Do Not Duplicate or Use Without Permission. ComNav Engineering Inc.
 claims Copyright in this document as of the Creation, last revision,
 and last updated dates. All Rights Reserved.



NOTES:

THIS FILTER IS A BI-DIRECTIONAL
 CROSS-COUPLED DESIGN.

ENGLISH / METRIC ENGLISH	CHECKED BY					
TOLERANCES UNLESS OTHERWISE SPECIFIED MACHINED SURFACES TO BE 125 OR BETTER REMOVE ALL BURRS	DRAWN BY RME	A	06NOV00	SWB	DEV.	GEN. REV. PER 1400
	ENGINEER SWB	II	18FEB98	SWB	DEV.	INI. ISS. PER 0515
	SCALE 2:1	REV	DATE	BY	DCN No.	REMARKS
ENGLISH (INCHES) .XX ±.02 .XXX ±.01	METRIC (MM) .X ±.25 .XX ±.13	APPLIC: CERAMIC COAXIAL FILTER				SHEET NO/OF
ANGLES ± 0° 30'	DATE 22NOV00	TITLE: 6BCR6B-1748/C95-DX				1 1
COMNAV ENGINEERING INC.	FINISH: BOARD:TIN PLATED COPPER JACKET:NI/SILVER RESONATOR:SILVER	DRAWING No. 0L0085				