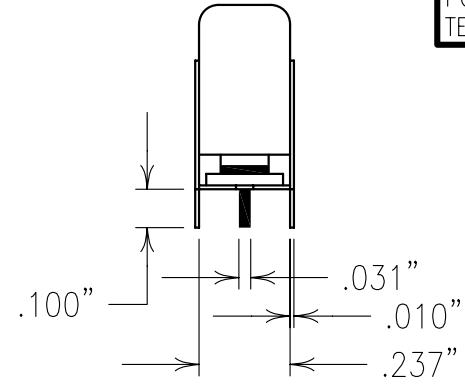
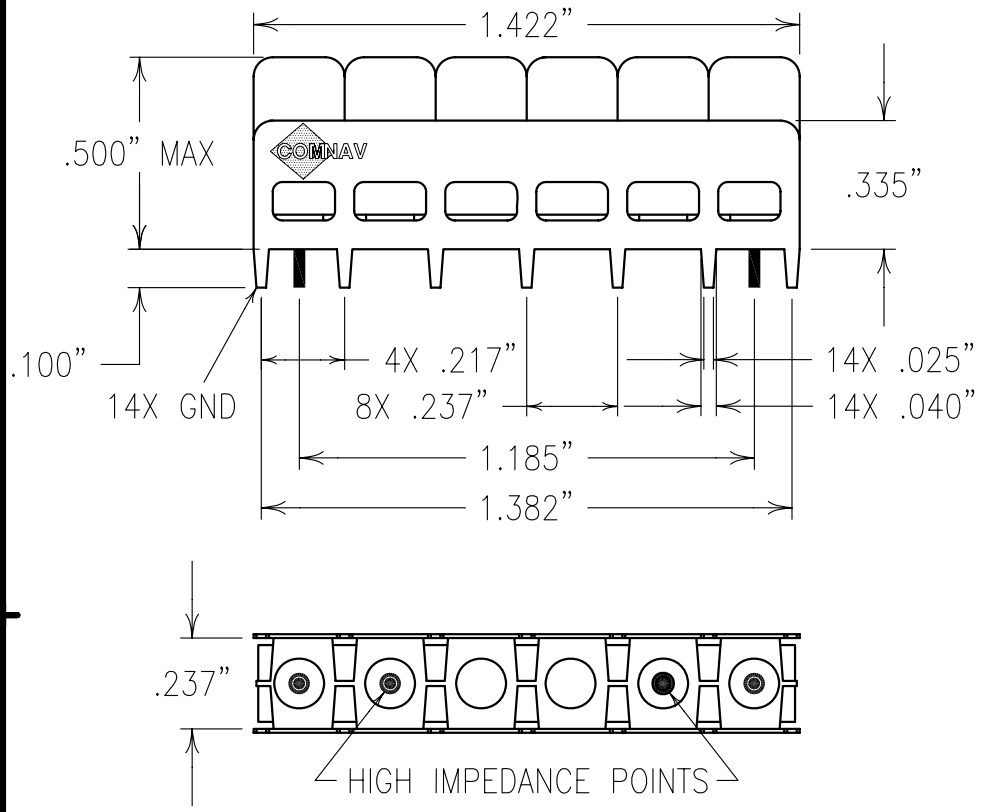


2

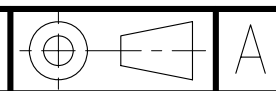
1

ELECTRICAL CHARACTERISTICS	
PASSBAND	880 - 915 MHz
INSERTION LOSS	3.0 dB MAX
35 dBA REJECTION	925 - 960 MHz
POWER	500 mW CW
TEMPERATURE RANGE	0 TO +50°C



COPY

Confidential and Proprietary information of ComNav Engineering Inc. Do Not Duplicate or Use Without Permission. ComNav Engineering Inc. claims Copyright in this document as of the Creation, last revision, and last updated dates. All Rights Reserved.



NOTES:
 FILTER IS A BI-DIRECTIONAL CROSS-COUPLED DESIGN.
 MAX REFLOW TEMP. 240°C FOR 30 SEC., OR 260°C FOR 15 SEC.
 FOR RECOMMENDED FOOTPRINT SEE FP0013.

ENGLISH / METRIC ENGLISH	CHECKED BY	C	05JUN01	SWB	DEV.	GEN. REV. PER 1645
TOLERANCES UNLESS OTHERWISE SPECIFIED MACHINED SURFACES TO BE 125 OR BETTER REMOVE ALL BURRS	DRAWN BY	B	05APR99	SWB	DEV.	GEN. REV. PER 0978
	ENGINEER	A	11MAR98	MJG	DEV.	GEN. REV. PER 0523
	SWB	REV	DATE	BY	DCN No.	REMARKS
ENGLISH (INCHES) .XX ±.02 .XXX ±.010	METRIC (MM) .X ±.25 .XX ±.13	SCALE	APPLIC: CERAMIC COAXIAL FILTER			
ANGLES ± 0° 30'	DATE	TITLE: 6BCR6E-898/C40-D				SHEET NO/OF 1 1
	FINISH:	DRAWING No. 0L0079				
	JACKET: NI/SILVER RESONATOR: SILVER PINS: TIN PLATED BRASS					