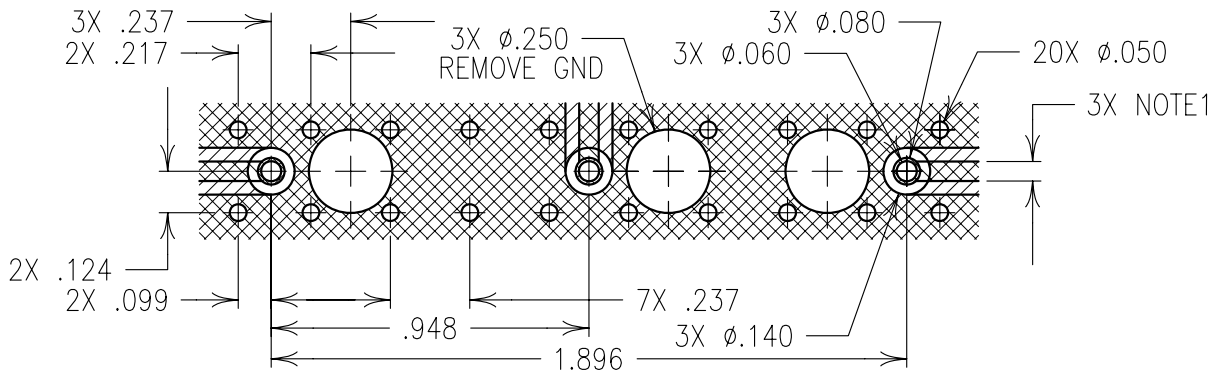


COPY



RECOMMENDED FOOT PRINT

Electrical Specifications

	898/40	943/40
Center Frequency (MHz):	898 nom.	943 nom.
Passband (MHz):	880 - 915	925 - 960
Max Insertion loss:	3.0 dB	3.0 dB
30 dB rejection (MHz):	925 - 960	880 - 915
VSWR:	≤ 1.5:1	≤ 1.5:1
Impedance:	50 ohms	50 ohms
Power:	2 watts cw	2 watts cw
Temperature range:	-5 to +60° C	-5 to +60° C

TIN PLATED COPPER ON BOTTOM OF BOARD
 TIN PLATED COPPER ON TOP OF BOARD

Confidential and Proprietary information of ComNav Engineering Inc., Do Not Duplicate or Use Without Permission. ComNav Engineering Inc. claims Copyright in this document as of the creation, last revision, and last updated dates. All Rights Reserved.

NOTES:
 DRAWING NOT TO SCALE
 MAX REFLOW TEMP. 240°C FOR 30 SEC., OR 260°C FOR 15 SEC.
 NOTE1 AS REQUIRED FOR 50 OHMS CONNECTING LINE ON BOARD BACK-PLANE

ENGLISH / METRIC ENGLISH	CHECKED BY				
TOLERANCES UNLESS OTHERWISE SPECIFIED TO BE 125/ OR BETTER REMOVE ALL BURRS	DRAWN BY PBF	A	11MAR98	MJG	DEV. GEN. REV. PER 0523
ENGLISH (INCHES) .XX ±.01 .XXX ±.005	ENGINEER MJG	II	19DEC97	SWB	DEV. INT. ISS. PER 0481
METRIC (MM) .X ±.25 .XX ±.13	SCALE N/A	REV	DATE	BY	DCN No. REMARKS
ANGLES ± 0° 30'	DATE 11MAR98	APPLIC: COAXIAL FILTER			TITLE: 9DCR6D-898/943/Z40-D
	MATERIAL: N/A	DRAWING No. 0L0078			SHEET NO/OF 1 1
ENGINEERING INC.	Finish: N/A				