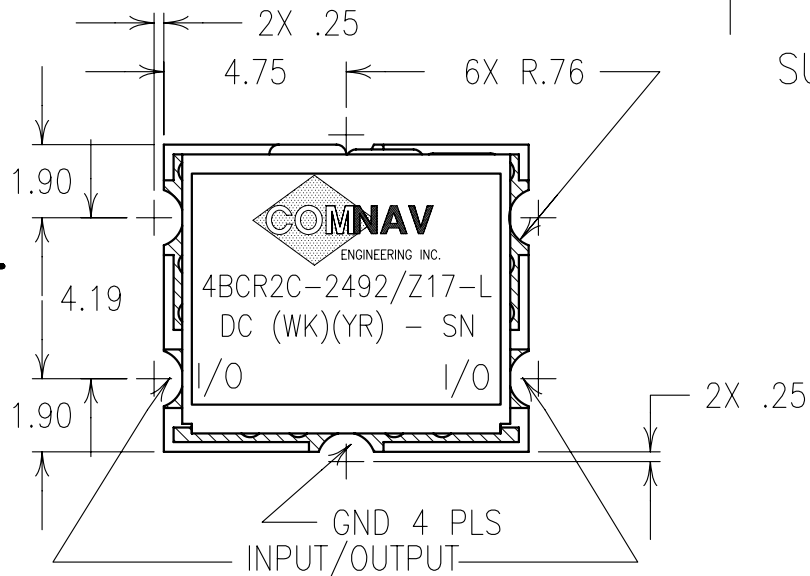
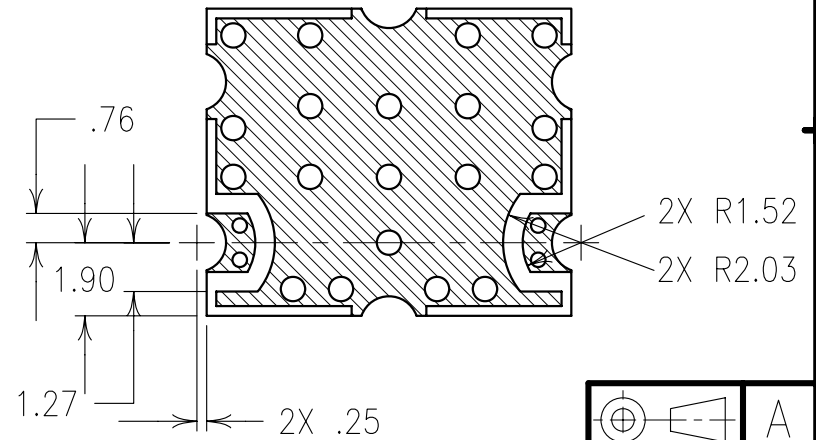
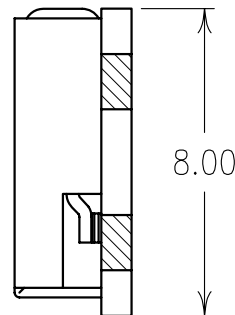


ELECTRICAL CHARACTERISTICS	
CENTER FREQUENCY	2491.5 Mhz nom.
PASSBAND	2483-2500 Mhz
INSERTION LOSS	<4.0 dB
VSWR	<1.7:1
REJECTION:	
824-894 Mhz	>50 dB
1610-1990 Mhz	>40 dB
2000-2080 Mhz	>37 dB
2400-2450 Mhz	>24 dB
2475 Mhz	>3 dB
2510 Mhz	>2.5 dB
2540-2600 Mhz	>22 dB
2600-2700 Mhz	>23 dB



SUGGESTED FOOTPRINT

**COPY**



Confidential and Proprietary information of ComNav Engineering Inc. Do Not Duplicate or Use Without Permission. ComNav Engineering Inc. claims Copyright in this document as of the Creation, last revision, and last updated dates. All Rights Reserved.

NOTES:  
 RECOMMENDED ATTACHMENT METHOD: SILVER EPOXY OR REFLOW AT A MAX. TEMP. OF 260°C FOR A MAX. OF 15 SECS.  
 NO TIN PLATING UNDER SOLDER MASK.

- COPPER-NO TIN PLATING
- TIN PLATED COPPER
- SOLDER MASK

ENGLISH / METRIC METRIC	CHECKED BY				
TOLERANCES UNLESS OTHERWISE SPECIFIED MACHINED SURFACES TO BE 125 OR BETTER REMOVE ALL BURRS	DRAWN BY PBF	II	21AUG97	MJG	DEV.
ENGLISH (INCHES) .XX ±.02 .XXX ±.01	ENGINEER MJG	REV	DATE	BY	DCN No.
METRIC (MM) .X ±.25 .XX ±.13	SCALE 5:1	APPLIC: COAXIAL FILTER			
ANGLES ± 0° 30'	DATE 22AUG97	TITLE: 4BCR2C-2492/Z17-L			SHEET NO/OF 1 1
	FINISH: CARRIER BOARD:TIN PLATED COPPER JACKET:NI/SILVER RESONATOR:SILVER	DRAWING No. OL0060			