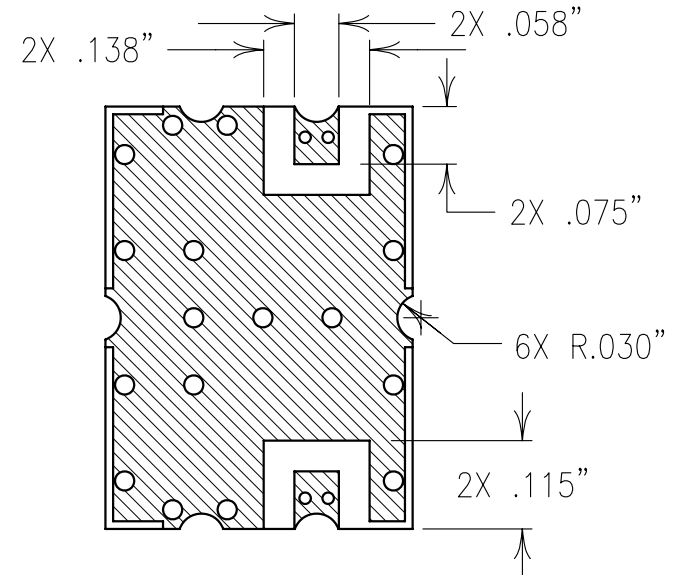
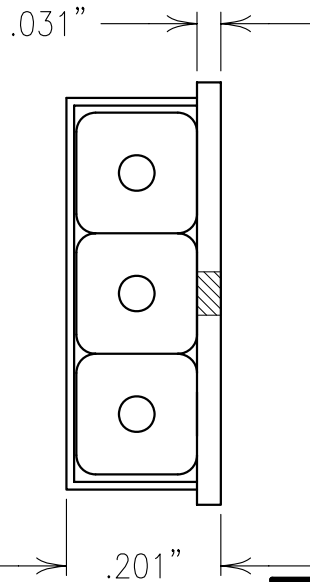
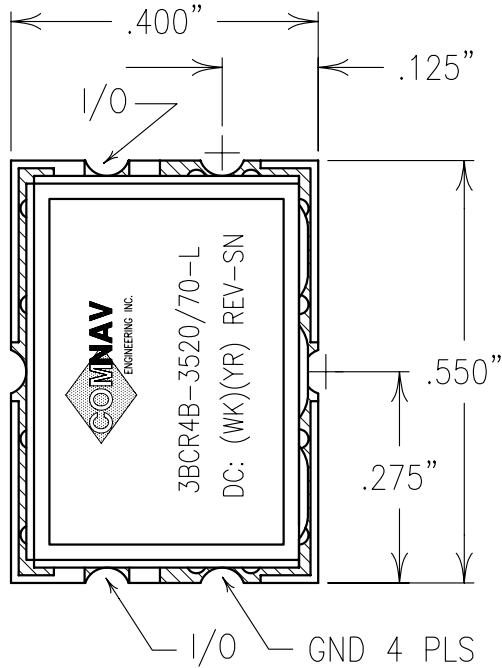
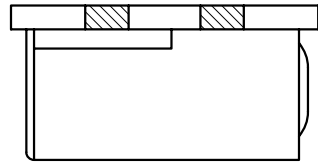


2

1

COPY

ELECTRICAL CHARACTERISTICS	
Center Frequency	3520 MHz
3.0 dB Bandwidth	70(±35)MHz
LOSS @ fo	<2.0 dB
VSWR(70% of 3dB)	<2:1
40 dB REJECTION	3310 MHz
30 dB REJECTION	3730 MHz
IMPEDANCE(OHMS)	50
TEMPERATURE, OPERATING	-54 TO 85°C
TEMPERATURE, STORAGE	-55 TO 125°C
HUMIDITY	90% RH 65°C



NOTES:
 FOR RECOMMENDED FOOTPRINT SEE FP0007.
 RECOMMENDED ATTACHMENT METHOD: SILVER EPOXY
 OR REFLOW NOT TO EXCEED AS INDICATED BELOW:
 TEMP.(°C) MAX.TIME(SEC)
 215 90
 230 60
 245 30
 260 15

Confidential and Proprietary information of ComNav Engineering Inc. Do Not Duplicate or Use Without Permission. ComNav Engineering Inc. claims Copyright in this document as of the Creation, last revision, and last updated dates. All Rights Reserved.								
ENGLISH / METRIC ENGLISH	CHECKED BY	D	09JUL01	RME	DEV.	GEN. REV. PER 1692		
TOLERANCES UNLESS OTHERWISE SPECIFIED	DRAWN BY	C	14JUL97	MJG	DEV.	GEN. REV. PER 0392		
MACHINED SURFACES TO BE 125 OR BETTER	ENGINEER	B	23JUN97	MJG	DEV.	GEN. REV. PER 0348		
REMOVE ALL BURRS	SWB	REV	DATE	BY	DCN No.	REMARKS		
ENGLISH (INCHES)	METRIC (MM)	SCALE	APPLIC: CERAMIC COAXIAL FILTER					
.XX ±.02	.X ±.25	4:1	TITLE: 3BCR4B-3520/70-L					
.XXX ±.010	.XX ±.13	DATE	02AUG01					
ANGLES ± 0° 30'	FINISH:		BOARD: NI/AU PLATED COPPER			DRAWING No.		SHEET OF 1 1
	JACKET: NI/SILVER		RESONATOR: SILVER			0L0053		