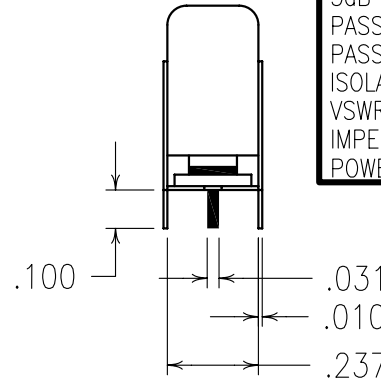
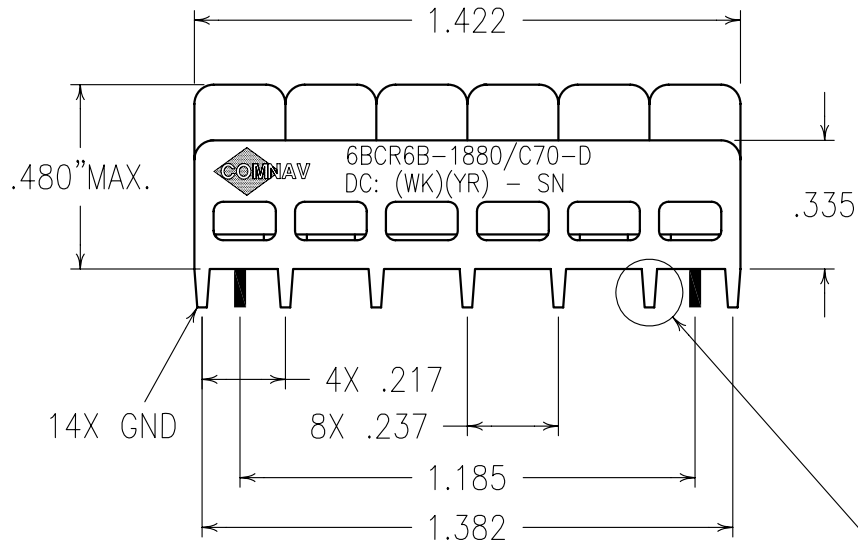


2

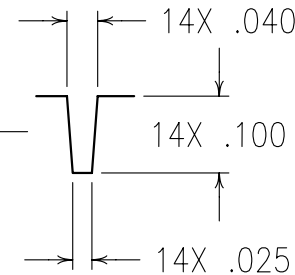
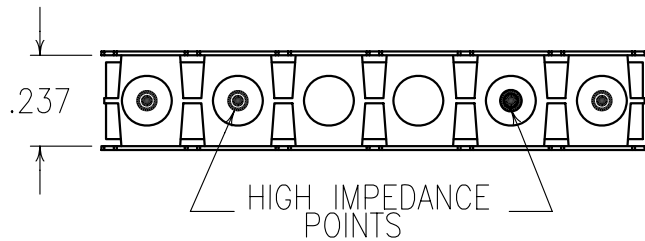
1

ELECTRICAL CHARACTERISTICS

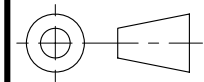
CENTER FREQUENCY	1880 MHz nom.
3dB BANDWIDTH	70 MHz nom.
PASSBAND	1850 - 1910 MHz
PASSBAND LOSS	<3.0 dB
ISOLATION (1930 - 1990)	>30 dB
VSWR	1.7:1
IMPEDANCE	50 OHMS
POWER	5 WATTS



COPY



Confidential and Proprietary information of ComNav Engineering Inc. Do Not Duplicate or Use Without Permission. ComNav Engineering Inc. claims Copyright in this document as of the Creation, last revision, and last updated dates. All Rights Reserved.



A

NOTES:

FILTER IS A BI-DIRECTIONAL CROSS-COUPLED DESIGN.

MAX REFLOW TEMP. 240°C FOR 30 SEC., OR 260°C FOR 15 SEC.

FOR RECOMMENDED FOOTPRINT SEE FP0013.

ENGLISH / METRIC ENGLISH	CHECKED BY	C	05JUN01	SWB	DEV.	GEN. REV. PER 1646
TOLERANCES UNLESS OTHERWISE SPECIFIED MACHINED SURFACES TO BE 125 OR BETTER REMOVE ALL BURRS	DRAWN BY	B	06NOV00	SWB	DEV.	GEN. REV. PER 1388
ENGLISH (INCHES) XX ±.02 .XXX ±.010	ENGINEER	A	29SEP97	SWB	DEV.	GEN. REV. PER 0437
METRIC (MM) .X ±.25 .XX ±.13	SWB	REV	DATE	BY	DCN No.	REMARKS
ANGLES ± 0° 30'	SCALE	APPLIC: CERAMIC COAXIAL FILTER				
	DATE	TITLE: 6BCR6B-1880/C70-D				SHEET NO/OF 1 1
	FINISH:	JACKET: NI/SILVER RESONATOR: SILVER PINS: TIN PLATED BRASS				DRAWING No. 0L0051

B

A