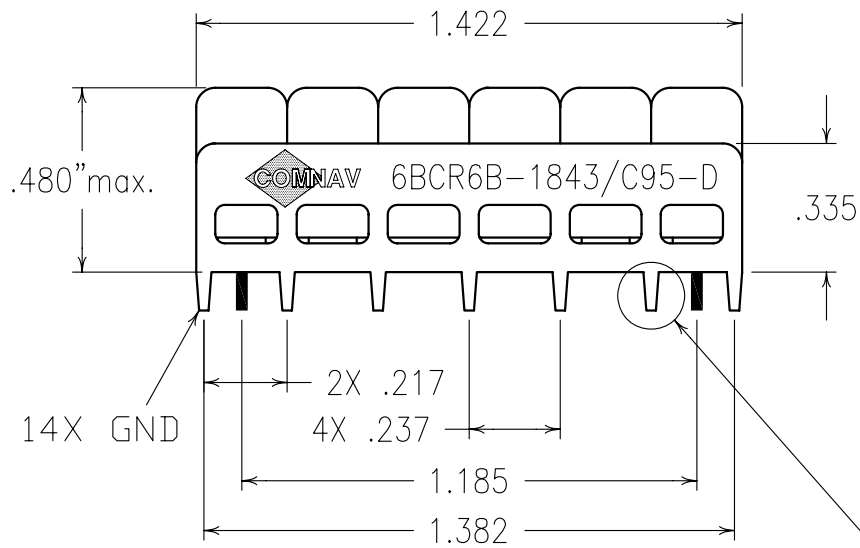


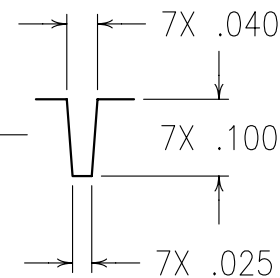
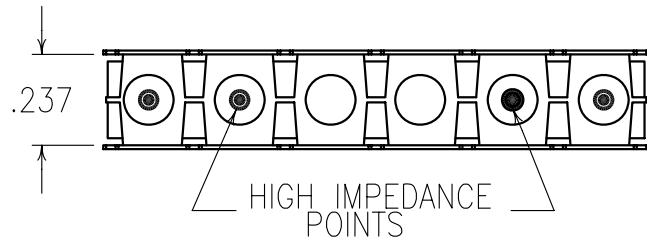
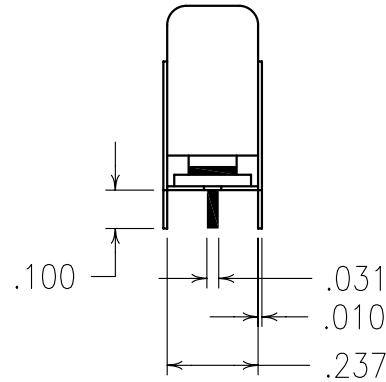
2

1



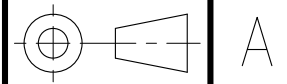
### ELECTRICAL CHARACTERISTICS

CENTER FREQUENCY	1843 MHz nom.
3dB BANDWIDTH	95 MHz nom.
PASSBAND	1805 - 1880 MHz
PASSBAND LOSS	<3.0 dB
ISOLATION (1710 - 1785)	30 dB
50 dB REJECTION	1700, 2050 MHz
VSWR	≤1.7:1
IMPEDANCE	50 OHMS
POWER	5 WATTS



# COPY

Confidential and Proprietary information of ComNav Engineering Inc.  
Do Not Duplicate or Use Without Permission. ComNav Engineering Inc.  
claims Copyright in this document as of the Creation, last revision,  
and last updated dates. All Rights Reserved.



#### NOTES:

FILTER IS A BI-DIRECTIONAL CROSS-  
-COUPLED DESIGN.

MAX REFLOW TEMP. 240°C FOR 30 SEC.,  
OR 260°C FOR 15 SEC.

FOR RECOMMENDED FOOTPRINT SEE FP0013.

ENGLISH / METRIC ENGLISH	CHECKED BY	C	05JUN01	SWB	DEV.	GEN. REV. PER 1646
TOLERANCES UNLESS OTHERWISE SPECIFIED MACHINED SURFACES TO BE 125 OR BETTER REMOVE ALL BURRS	DRAWN BY	B	11JUL00	SWB	DEV.	GEN. REV. PER 1274
ENGLISH (INCHES) .XX ±.02 .XXX ±.010	ENGINEER	A	29JUL97	PBF	DEV.	GEN. REV. PER 0374
METRIC (MM) .X ±.25 .XX ±.13	SWB	REV	DATE	BY	DCN No.	REMARKS
ANGLES ± 0° 30'	SCALE	APPLIC: CERAMIC COAXIAL FILTER				SHEET NO/OF 1 1
	DATE	TITLE: 6BCR6B-1843/C95-D				
COMNAV ENGINEERING INC.	FINISH:	JACKET: NI/SILVER RESONATOR: SILVER PINS: TIN PLATED BRASS				DRAWING No. OL0043

B

A