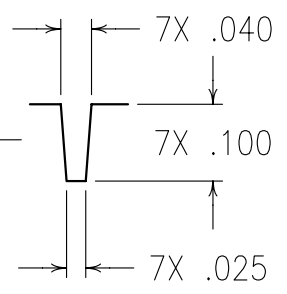
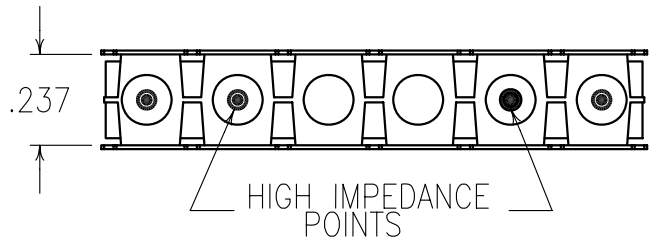
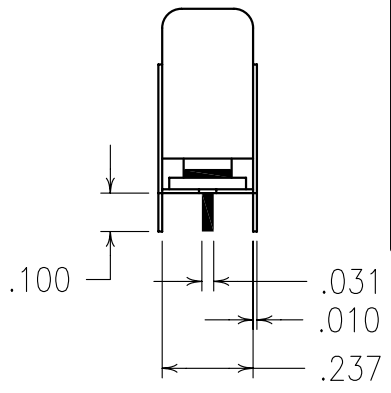
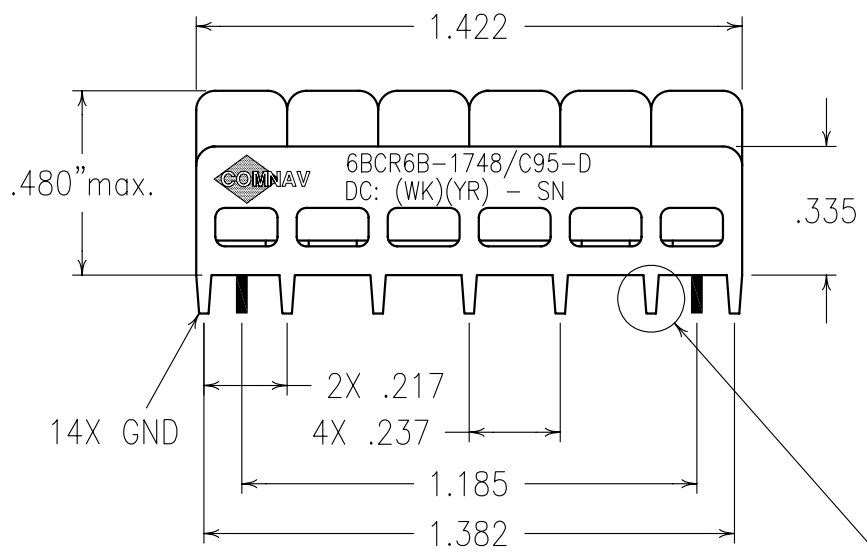


2

1

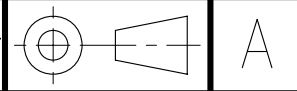
ELECTRICAL CHARACTERISTICS

CENTER FREQUENCY	1748 MHz nom.
3dB BANDWIDTH	95 MHz nom.
PASSBAND	1710 - 1785 MHz
PASSBAND LOSS	<3.0 dB
ISOLATION (1805 - 1880)	30 dB
50 dB REJECTION	1575, 1900 MHz
VSWR	≤1.7:1
IMPEDANCE	50 OHMS
POWER	5 WATTS



COPY

Confidential and Proprietary information of ComNav Engineering Inc.
Do Not Duplicate or Use Without Permission. ComNav Engineering Inc.
claims Copyright in this document as of the Creation, last revision,
and last updated dates. All Rights Reserved.



NOTES:
 FILTER IS A BI-DIRECTIONAL CROSS-
 -COUPLED DESIGN.
 MAX REFLOW TEMP. 240°C FOR 30 SEC.,
 OR 260°C FOR 15 SEC.
 FOR RECOMMENDED FOOTPRINT SEE FP0013.

ENGLISH / METRIC ENGLISH	CHECKED BY C	05JUN01	SWB	DEV.	GEN. REV. PER 1646	
TOLERANCES UNLESS OTHERWISE SPECIFIED MACHINED SURFACES TO BE 125 / OR BETTER REMOVE ALL BURRS	DRAWN BY RME	B	01NOV00	SWB	DEV.	GEN. REV. PER 1375
ENGLISH (INCHES) .XX ±.02 .XXX ±.010	ENGINEER SWB	A	12AUG97	SWB	DEV.	GEN. REV. PER 0399
METRIC (MM) .X ±.25 .XX ±.13	SCALE 2:1	REV	DATE	BY	DCN No.	REMARKS
ANGLES ± 0° 30'	DATE 11JUN01	APPLIC: CERAMIC COAXIAL FILTER				
COMNAV ENGINEERING INC.	FINISH: JACKET:NI/SILVER RESONATOR:SILVER PINS: TIN PLATED BRASS	TITLE: 6BCR6B-1748/C95-D				SHEET NO/OF 1 1
DRAWING No. 0L0042						