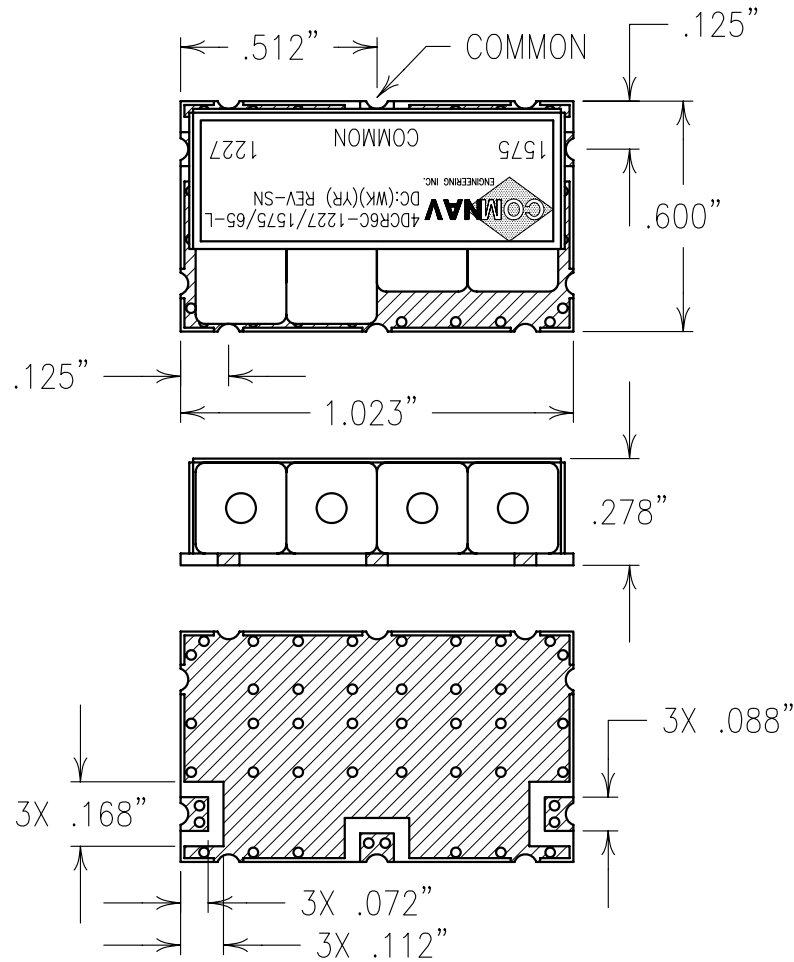


2

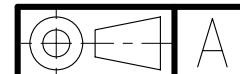
1



ELECTRICAL CHARACTERISTICS

| | L1 | L2 |
|------------------|---------------|---------------|
| CENTER FREQUENCY | 1575 MHz | 1227 MHz |
| 3dB BANDWIDTH | 65 MHz nom. | 65 MHz nom. |
| PASSBAND | 1565-1585 MHz | 1217-1237 MHz |
| PASSBAND LOSS | < 1.0 dB | < 1.0 dB |
| PASSBAND VSWR | < 1.7:1 | < 1.7:1 |
| ISOLATION | >40 dB | >36 dB |

COPY



NOTES:
 FOR RECOMMENDED FOOTPRINT SEE FP0045.
 RECOMMENDED ATTACHMENT METHOD: SILVER EPOXY
 OR REFLOW NOT TO EXCEED AS INDICATED BELOW:

| TEMP.(°C) | MAX.TIME(SEC) |
|-----------|---------------|
| 215 | 90 |
| 230 | 60 |
| 245 | 30 |
| 260 | 15 |

| | | |
|--|--|--|
| ENGLISH / METRIC ENGLISH | CHECKED BY E 15MAY02 PBF DEV. | GEN. REV. PER 1897 |
| TOLERANCES UNLESS OTHERWISE SPECIFIED | DRAWN BY D 01MAY01 RME DEV. | GEN. REV. PER 1615 |
| MACHINED SURFACES TO BE 125 / OR BETTER | ENGINEER C 27OCT99 MJG DEV. | GEN. REV. PER 1113 |
| REMOVE ALL BURRS | REV DATE BY DCN No. | REMARKS |
| ENGLISH (INCHES) .XX ±.02 .XXX ±.010 | SCALE 2:1 DATE 30MAY02 | APPLIC: GPS DIPLEXER TITLE: 4DCR6C-1227/1575/65-L |
| METRIC (MM) .X ±.50 .XX ±.25 | FINISH: BOARD: NI/AU PLATED COPPER JACKET: NI/SILVER RESONATOR: SILVER | DRAWING No. 0L0032 SHEET OF 1 1 |
| ANGLES ± 0° 30' | | |