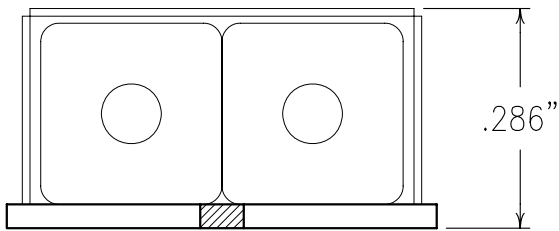
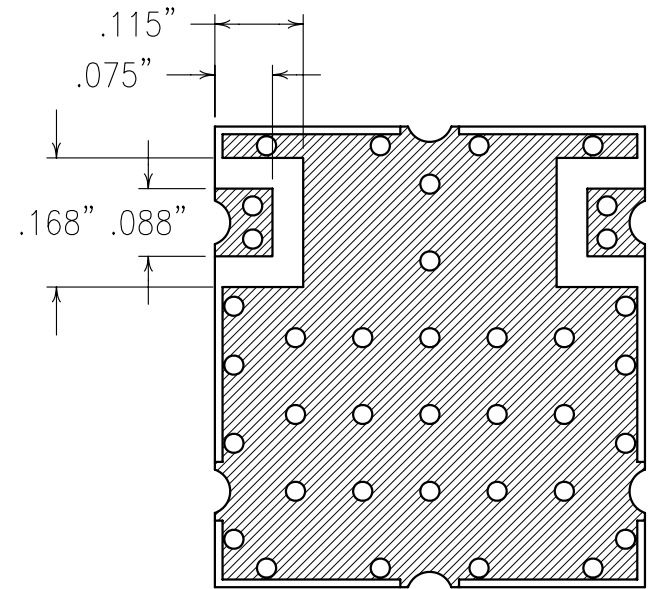
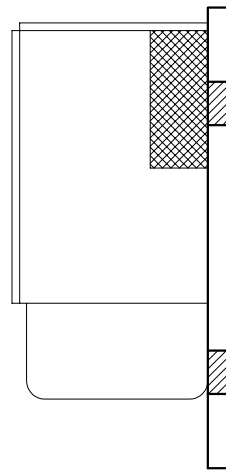
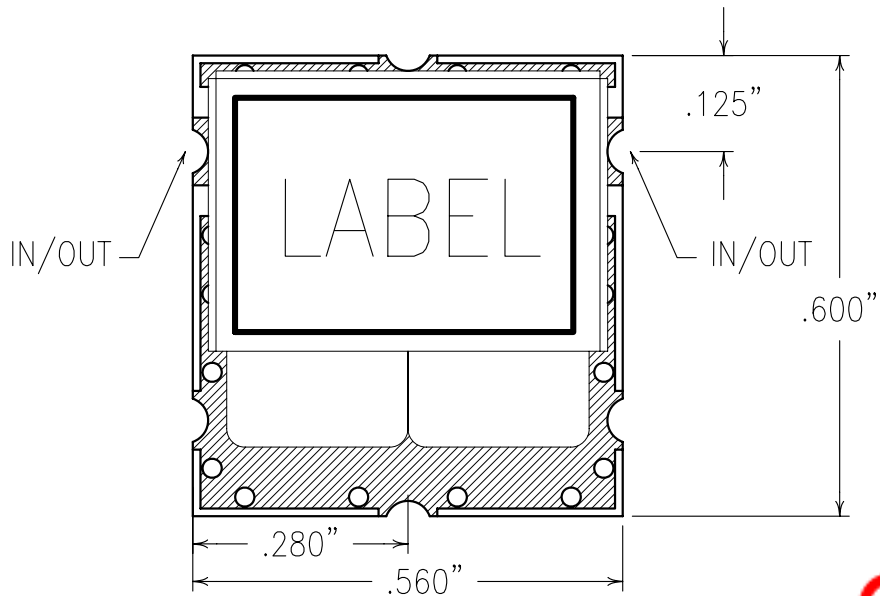


2

1

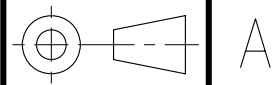


COPY

COPPER

ELECTRICAL CHARACTERISTICS	
CENTER FREQUENCY	1575 MHz
3dB BANDWIDTH	65 MHz nom.
PASSBAND	1565-1585 MHz
PASSBAND LOSS	< 1.0 dB
PASSBAND VSWR	< 1.7:1
25 dB REJECTION	fo ± 150 MHz

Confidential and Proprietary information of ComNav Engineering Inc. Do Not Duplicate or Use Without Permission. ComNav Engineering Inc. claims Copyright in this document as of the Creation, last revision, and last updated dates. All Rights Reserved.



NOTES:

ENGLISH / METRIC ENGLISH	CHECKED BY				
TOLERANCES UNLESS OTHERWISE SPECIFIED	DRAWN BY	A	02JUN97	MJG	DEV.
MACHINED SURFACES TO BE 125 / OR BETTER	ENGINEER	II	17APR97	MJG	DEV.
REMOVE ALL BURRS	MJG	REV	DATE	BY	DCN No.
ENGLISH (INCHES) .XX ±.02 .XXX ±.01	METRIC (MM) .X ±.25 .XX ±.13	SCALE	APPLIC: GPS-L1 FILTER		
ANGLES ± 0° 30'	DATE	04JUN97	TITLE:	2BCR6C-1575/65-L	
	Material: N/A	Finish: N/A	DRAWING No.	0L0031	
				SHEET NO/OF	1 / 1