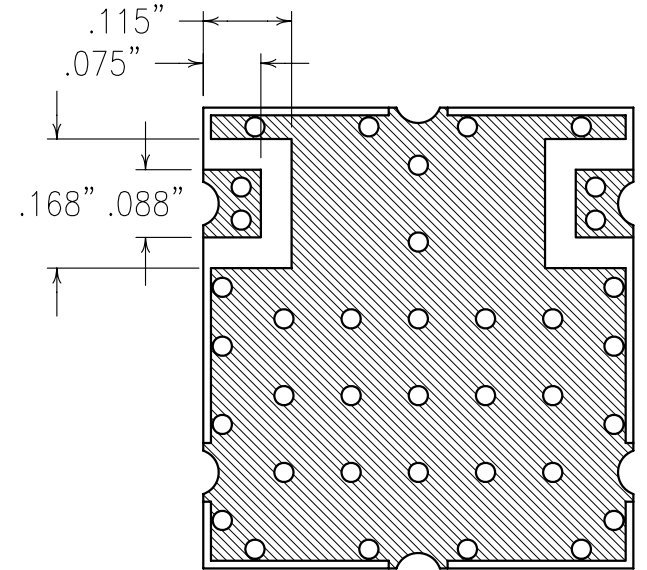
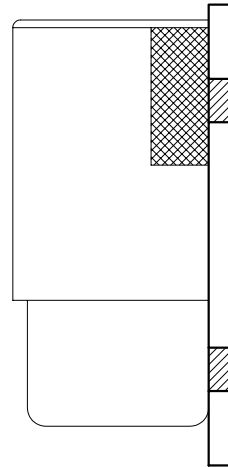
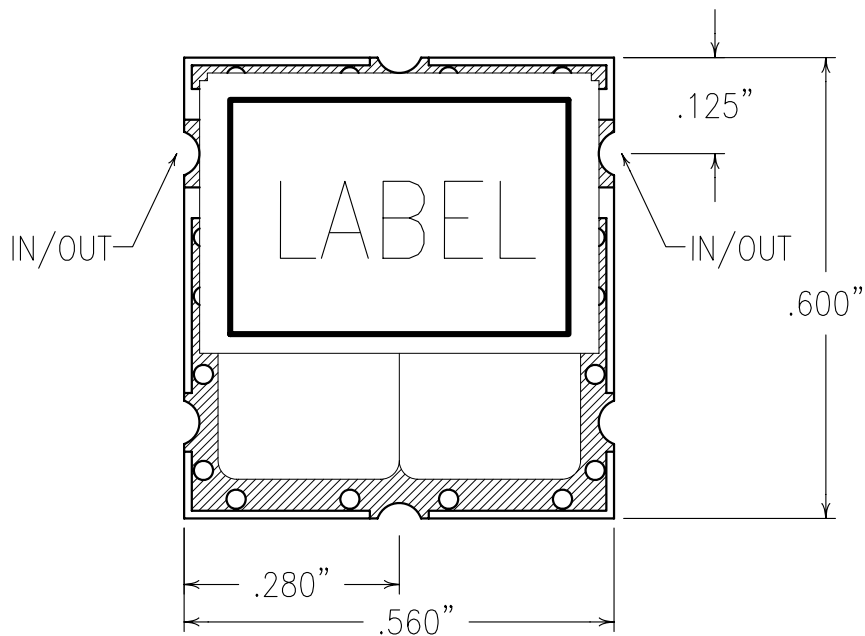
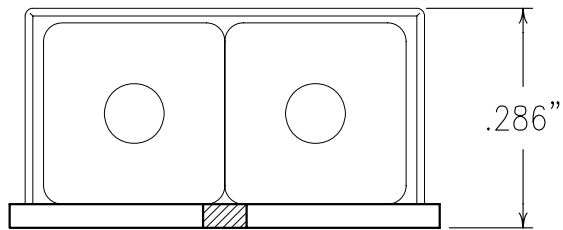


2

1



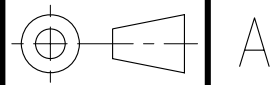
COPY




 COPPER

ELECTRICAL CHARACTERISTICS	
CENTER FREQUENCY	1227 MHz
3dB BANDWIDTH	65 MHz nom.
PASSBAND	1217-1237 MHz
PASSBAND LOSS	< 1.0 dB
PASSBAND VSWR	< 1.7:1
25 dB REJECTION	fo ± 150 MHz

Confidential and Proprietary information of ComNav Engineering Inc. Do Not Duplicate or Use Without Permission. ComNav Engineering Inc. claims Copyright in this document as of the Creation, last revision, and last updated dates. All Rights Reserved.



NOTES:

ENGLISH / METRIC ENGLISH	CHECKED BY					
TOLERANCES UNLESS OTHERWISE SPECIFIED MACHINED SURFACES TO BE 125 / OR BETTER REMOVE ALL BURRS	DRAWN BY PBF	A	23MAY97	SWB	DEV.	GEN. REV. PER 0301
ENGLISH (INCHES) XX ±.02 .XXX ±.01	ENGINEER SWB	II	17APR97	MJG	DEV.	INT. ISS. PER 0244
METRIC (MM) .X ±.25 .XX ±.13	SCALE 4:1	REV	DATE	BY	DCN No.	REMARKS
ANGLES ± 0° 30'	DATE 23MAY97	APPLIC: GPS-L2 FILTER				SHEET NO/OF 1 1
	Material: N/A	TITLE: 2BCR6C-1227/65-L				DRAWING No. OL0030
	Finish: N/A					