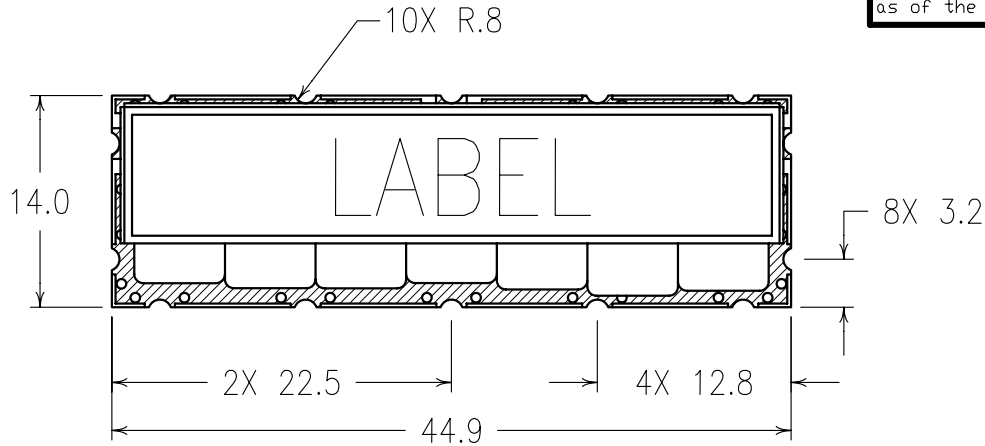


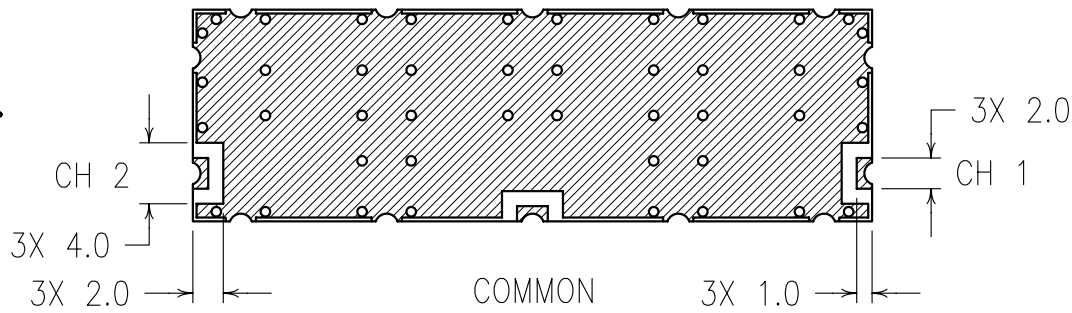
2

1

Confidential and Proprietary information of ComNav Engineering Inc. Do Not Duplicate or Use Without Permission. ComNav Engineering Inc. claims Copyright in this document as of the Creation, last revision, and last updated dates. All Rights Reserved.

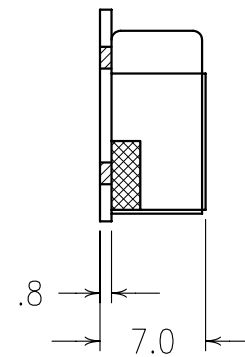


TOP VIEW



BOTTOM VIEW

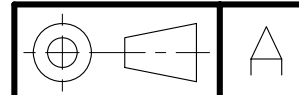
ELECTRICAL CHARACTERISTICS		
	CHANNEL 1	CHANNEL 2
CENTER FREQUENCY(fo)	1545 MHz	1645 MHz
3dB Bandwidth	50 MHz nom.	
PASSBAND	1530-1560	1630-1660
PASSBAND LOSS	<1.5dB	<2.0 dB
PASSBAND RIPPLE	<0.5 dB	
10 dB REJECTION	fo ± 40 MHz	
25 dB REJECTION	fo ± 80 MHz	
40 dB REJECTION	N/A	DC->1560
IMPEDANCE(IN/OUT)	50 ohms	
VSWR(IN/OUT)	1.7:1	
OPERATING TEMP.	-40°C TO +85°C	



END VIEW

**COPY**

COPPER



NOTES:

ENGLISH / METRIC METRIC  TOLERANCES UNLESS OTHERWISE SPECIFIED MACHINED SURFACES TO BE 125 OR BETTER REMOVE ALL BURRS  ENGLISH (INCHES) XX ± .02 .XXX ± .01  METRIC (MM) X ± .25 .XX ± .13  ANGLES ± 0° 30'	CHECKED BY						
	DRAWN BY	PBF					
	ENGINEER	MJG	II	24MAR97	MJG	DEV.	INT. ISS. PER 0216
	REVISIONS	REV	DATE	BY	DCN No.	REMARKS	
	SCALE	APPLIC: COAXIAL FILTER					
	DATE	TITLE: 7DCR6C-1545/1645/50-L				SHEET NO/DF	
	24MAR97					1 1	
	Material: N/A	DRAWING No.					
	Finish: N/A	0L0025					

