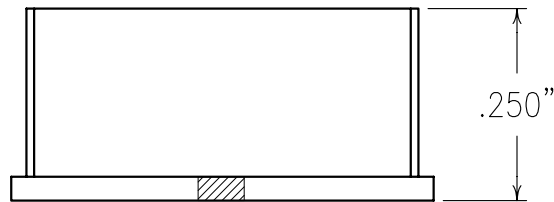
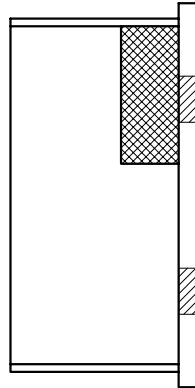
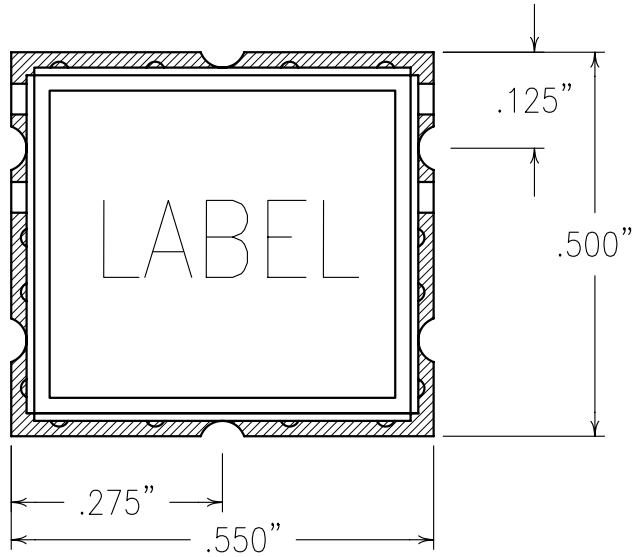


2

1

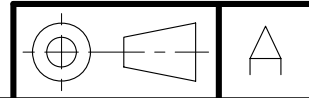
Confidential and Proprietary information of ComNav Engineering Inc. Do Not Duplicate or Use Without Permission. ComNav Engineering Inc. claims Copyright in this document as of the Creation, last revision, and last updated dates. All Rights Reserved.




ELECTRICAL CHARACTERISTICS	
CENTER FREQUENCY	1075 MHz
3dB BANDWIDTH	200 MHz nom.
LOSS @ fo	≤ 1.0 dB
25 dB REJECTION	≤ 1.5:1
IMPEDANCE (OHMS)	800 MHz
	50

COPY

 COPPER



NOTES:

ENGLISH / METRIC ENGLISH		CHECKED BY					
TOLERANCES UNLESS OTHERWISE SPECIFIED		DRAWN BY					
MACHINED SURFACES TO BE 125 OR BETTER		PBF		II	06FEB97	PBF	DEV.
REMOVE ALL BURRS		ENGINEER		REV	DATE	BY	DCN No.
		MVG					REMARKS
ENGLISH (INCHES)	METRIC (MM)	SCALE		APPLIC: COAXIAL FILTER			
XX ± .02	.X ± .25	4: 1					
.XXX ± .01	.XX ± .13	DATE		TITLE: 3BLC1-1075/200-L			
ANGLES ± 0° 30'		06FEB97		SHEET NO/DF 1 1			
		Material: N/A			DRAWING No.		
		Finish: N/A			□L0013		