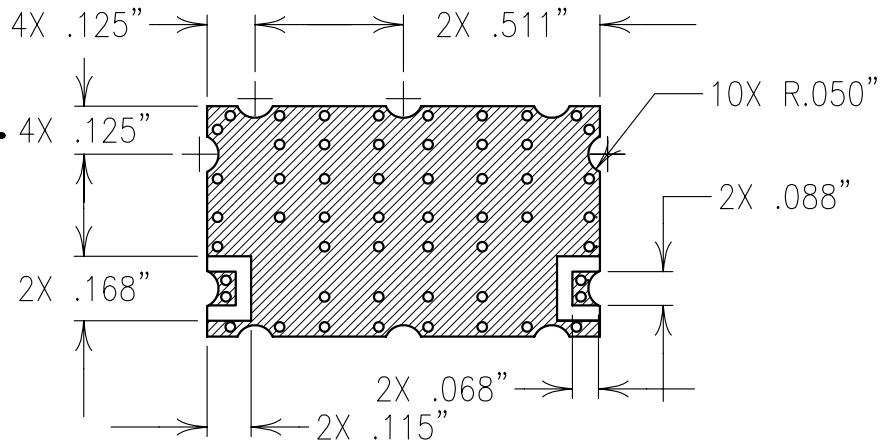
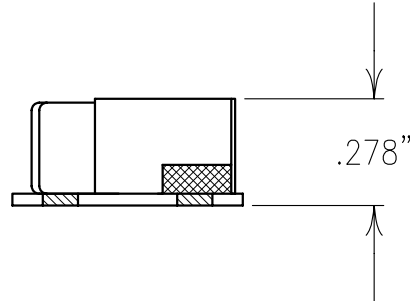
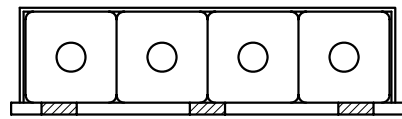
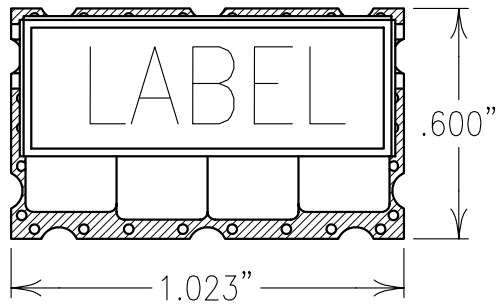


2

1

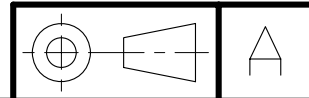
Confidential and Proprietary information of ComNav Engineering Inc. Do Not Duplicate or Use Without Permission. ComNav Engineering Inc. claims Copyright in this document as of the Creation, last revision, and last updated dates. All Rights Reserved.



ELECTRICAL CHARACTERISTICS	
CENTER FREQUENCY	SEE NOTES
3.0 dB PASSBAND	20 MHz nom.
LOSS AT Fo	≤3.5 dB
40 dB REJECTION	Fo+/- 40 MHz
55 dB REJECTION	Fo+/- 70 MHz
VSWR	≤1.5:1


**COPY**

 COPPER



NOTES:

Fo = 1857.5, 1867.5, 1877.5, 1892.5, 1897.5, 1937.5, 1947.5, 1957.5, 1972.5 OR 1977.5

ENGLISH / METRIC ENGLISH	CHECKED BY	B	08MAY97	SWB	DEV.	GEN. REV. PER 0286
TOLERANCES UNLESS OTHERWISE SPECIFIED	DRAWN BY	A	27JAN97	MJG	DEV.	GEN. REV. PER 0184
MACHINED SURFACES TO BE 125 OR BETTER	ENGINEER	II	19NOV96	MJG	DEV.	INT. ISS. PER 0122
REMOVE ALL BURRS	SWB	REV	DATE	BY	DCN No.	REMARKS
ENGLISH (INCHES)	METRIC (MM)	SCALE	APPLIC:			
XX ± .02	.X ± .25	2: 1	COAXIAL FILTER			
.XXX ± .01	.XX ± .13	DATE	TITLE:			SHEET NO/DF
ANGLES ± 0° 30'	16MAY97	4BCR6B-Fo/20-L			1	1
	Material: N/A	DRAWING No.				
ENGINEERING INC.	Finish: N/A	0L0009				

BD0025