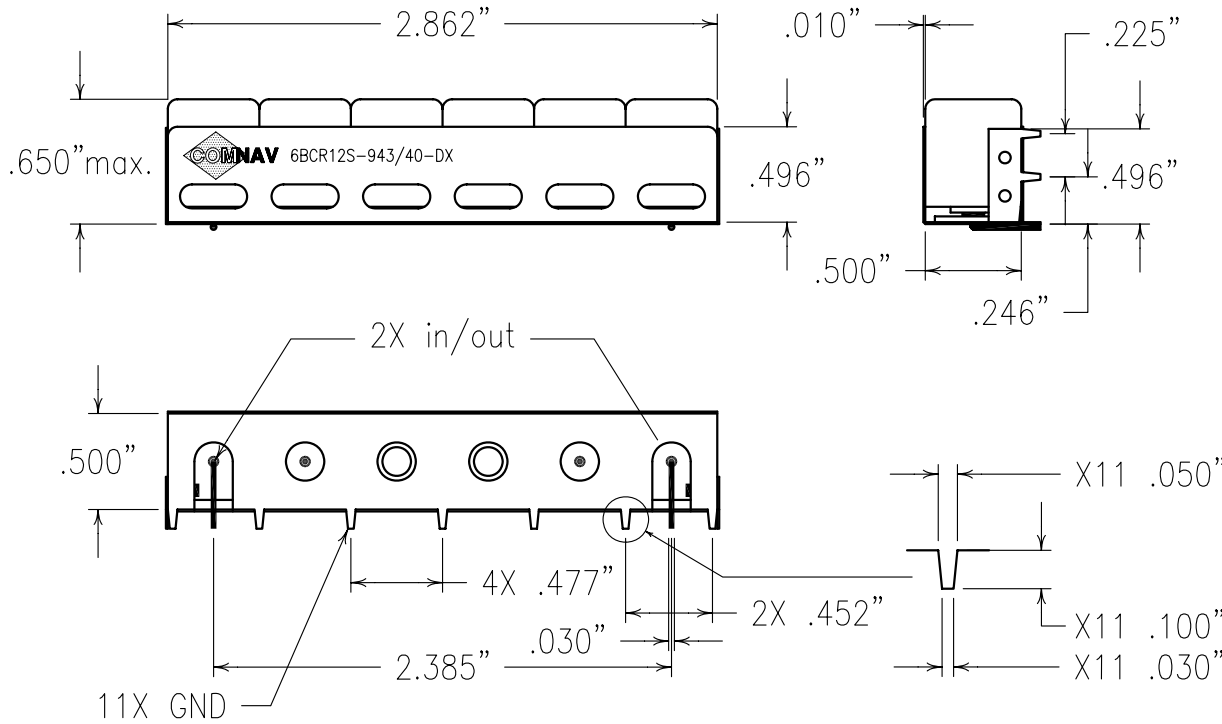


Confidential and Proprietary information of ComNav Engineering Inc. Do Not Duplicate or Use Without Permission. ComNav Engineering Inc. claims Copyright in this document as of the Creation, last revision, and last updated dates. All Rights Reserved.

ELECTRICAL CHARACTERISTICS

CENTER FREQUENCY	943 MHz nom.
3dB BANDWIDTH	40 MHz nom.
PASSBAND	935 - 965 MHz
PASSBAND LOSS	<2.0 dB
ISOLATION (880 - 915)	40 dB
40 dB REJECTION	1005 MHz
60 dB REJECTION	870, 1050 MHz
VSWR	≤1.5:1



COPY

A

NOTES:

ENGLISH / METRIC ENGLISH		CHECKED BY					
TOLERANCES UNLESS OTHERWISE SPECIFIED		DRAWN BY	A	12NOV96	PBF	DEV.	GEN. REV. PER 0120
MACHINED SURFACES TO BE 125 OR BETTER		ENGINEER	II	29OCT96	MJG	DEV.	INT. ISS. PER 0112
REMOVE ALL BURRS		MJG	REV	DATE	BY	DCN No.	REMARKS
ENGLISH (INCHES)	METRIC (MM)	SCALE	APPLIC: COAXIAL FILTER				
XX ± .02	.X ± .25	1:1					
.XXX ± .01	.XX ± .13	DATE	TITLE: 6BCR12S-943/40-DX				
ANGLES ± 0° 30'		12NOV96	SHEET NO/DF 1 1				
		Material: N/A			DRAWING No. 010008		
		Finish: N/A					