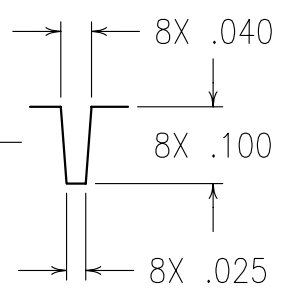
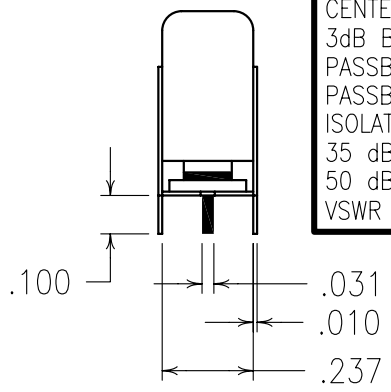
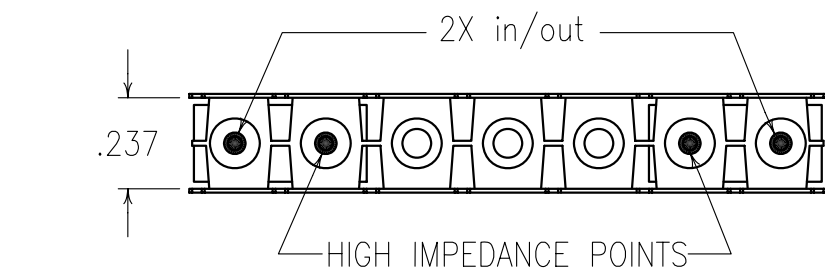
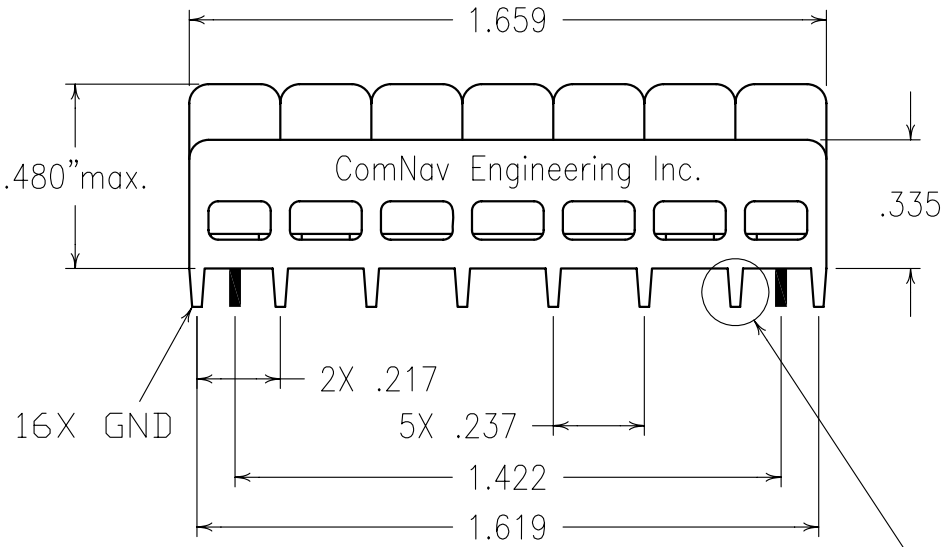


2

1

Confidential and Proprietary information of ComNav Engineering Inc. Do Not Duplicate or Use Without Permission. ComNav Engineering Inc. claims Copyright in this document as of the Creation, last revision, and last updated dates. All Rights Reserved.



ELECTRICAL CHARACTERISTICS	
CENTER FREQUENCY	1748 MHz nom.
3dB BANDWIDTH	95 MHz nom.
PASSBAND	1710 - 1785 MHz
PASSBAND LOSS	<3.0 dB
ISOLATION (1805 - 1880)	30 dB
35 dB REJECTION	1640, 1850 MHz
50 dB REJECTION	1575, 1900 MHz
VSWR	≤1.7:1

**COPY**

NOTES:

FILTER IS A BI-DIRECTIONAL POLE/ZERO DESIGN.

ENGLISH / METRIC ENGLISH	CHECKED BY	D	18JUN97	SWB	DEV.	INIT. REV. PER 0340
TOLERANCES UNLESS OTHERWISE SPECIFIED MACHINED SURFACES TO BE 125 OR BETTER REMOVE ALL BURRS	DRAWN BY PBF	C	06JUN97	SWB	DEV.	GEN. ISS. PER 0332
ENGLISH (INCHES) XX ± .02 .XXX ± .01	ENGINEER SWB	B	06FEB97	SWB	DEV.	GEN. REV. PER 0194
METRIC (MM) .X ± .25 .XX ± .13	SCALE 2:1	REV	DATE	BY	DCN No.	REMARKS
ANGLES ± 0° 30'	DATE 18JUN97	APPLIC: COAXIAL FILTER				SHEET NO/DF 1 1
	Material: N/A				DRAWING No. 010005	
	Finish: N/A					